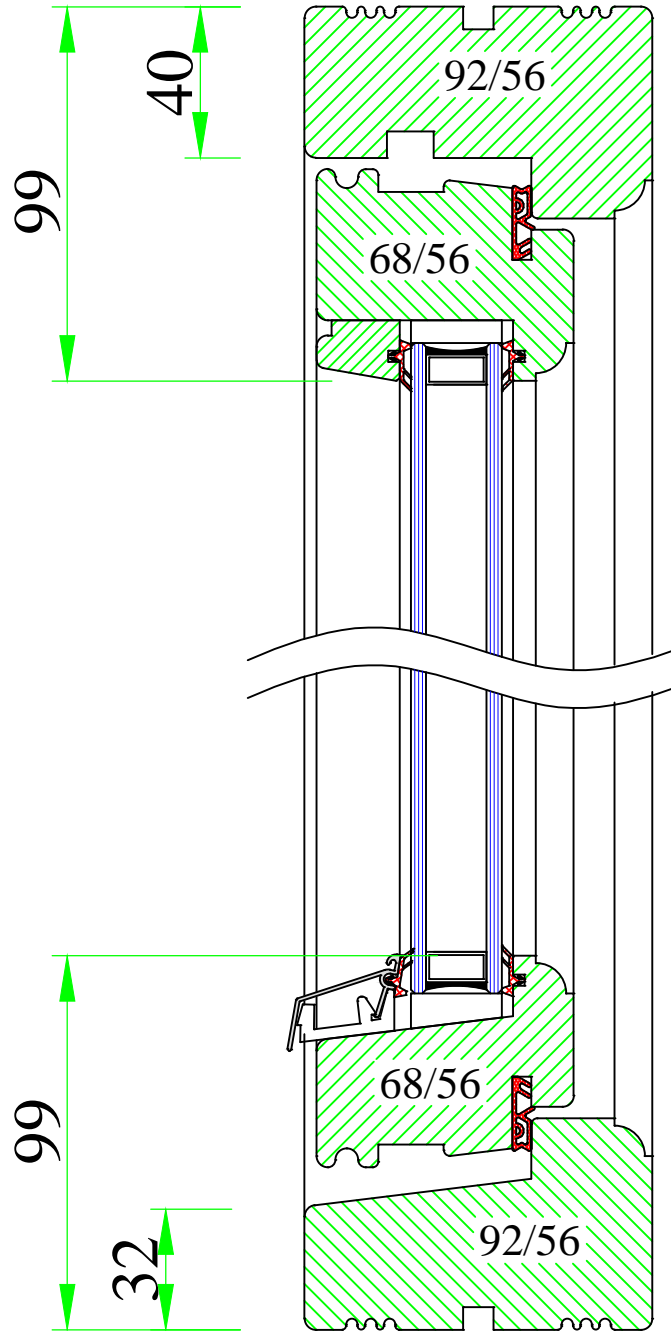


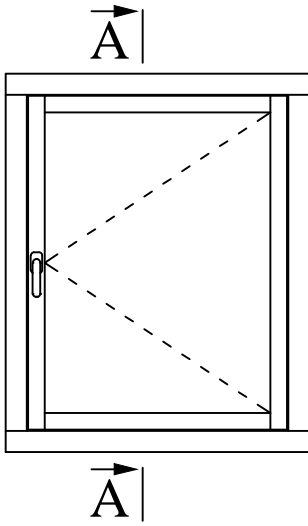
A-A



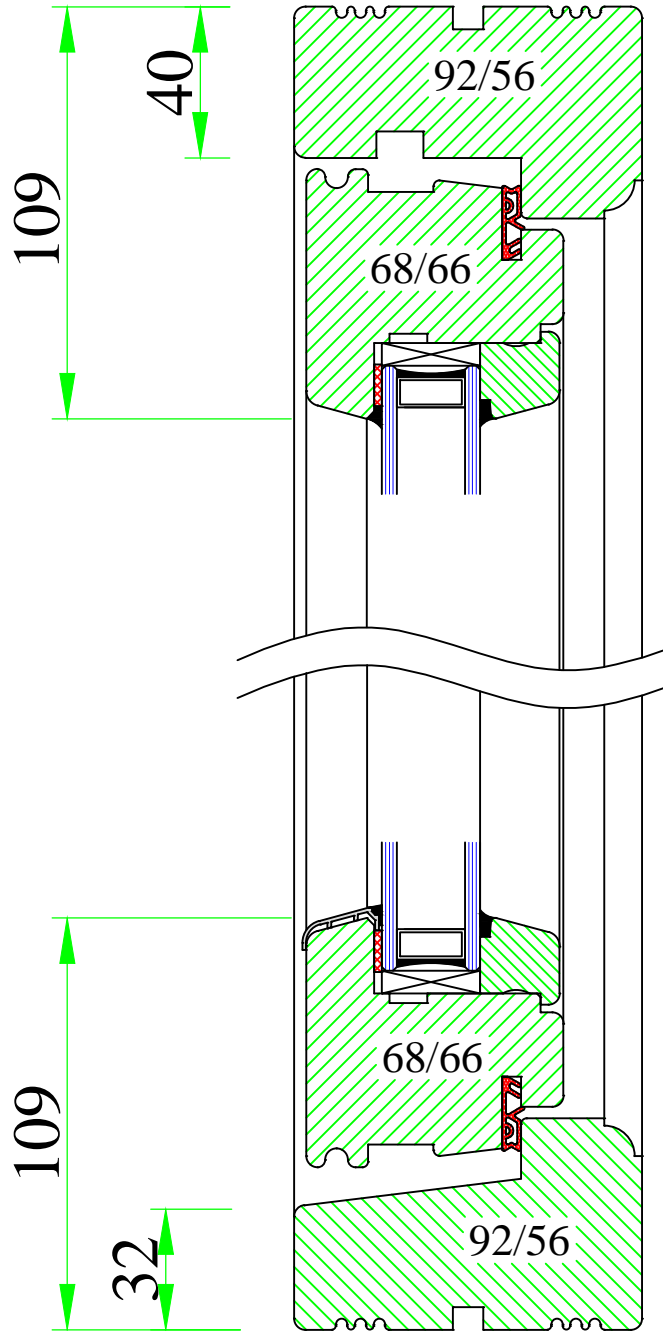
UNI WINDOWS Ltd.
 Unit 6, Edgefield Industrial Est.
 Loanhead, EH20 9TB
 Tel.: 0131 448 3931

FLUSH CASEMENT
 Outward opening window

Version: 1	Scale: 1:2
Date: 15.05.14	Drawing: TEMPLAT



A-A



UNI WINDOWS Ltd.
 Unit 6, Edgefield Industrial Est.
 Loanhead, EH20 9TB
 Tel.: 0131 448 3931

FLUSH CASEMENT

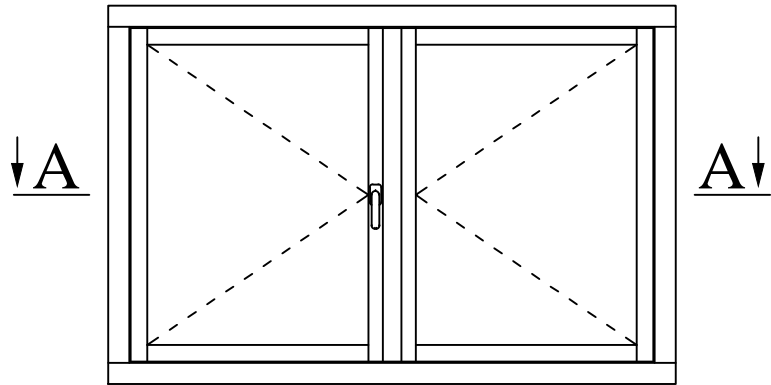
Outward opening window (ver. **NewLine**)

Version:
1

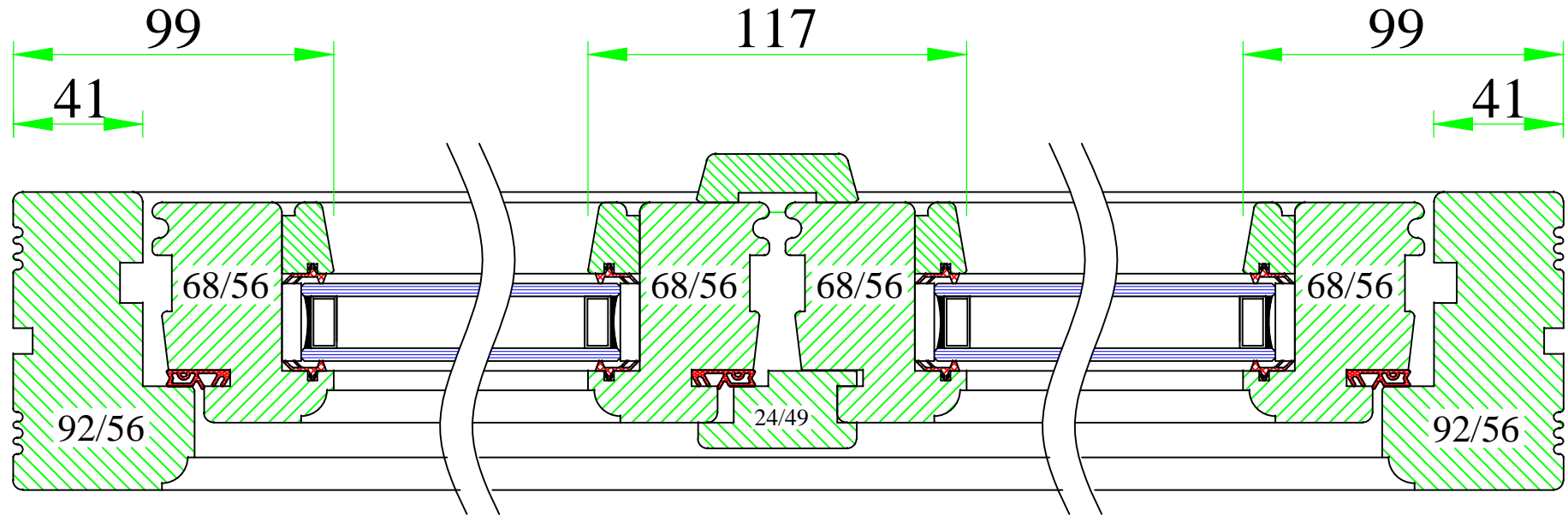
Date:
15.05.14

Scale:
1:2

Drawing:
NOA/1



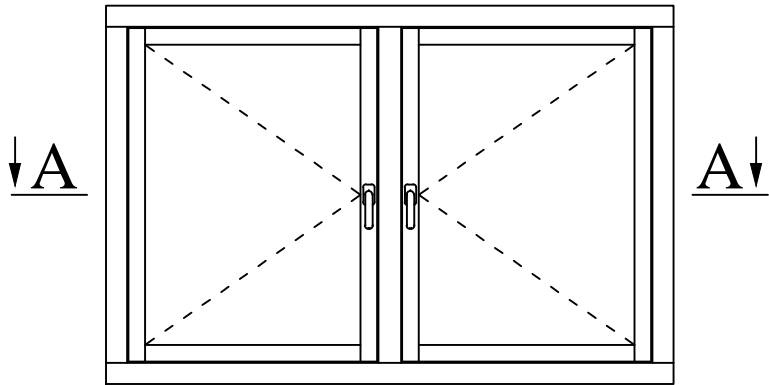
A-A



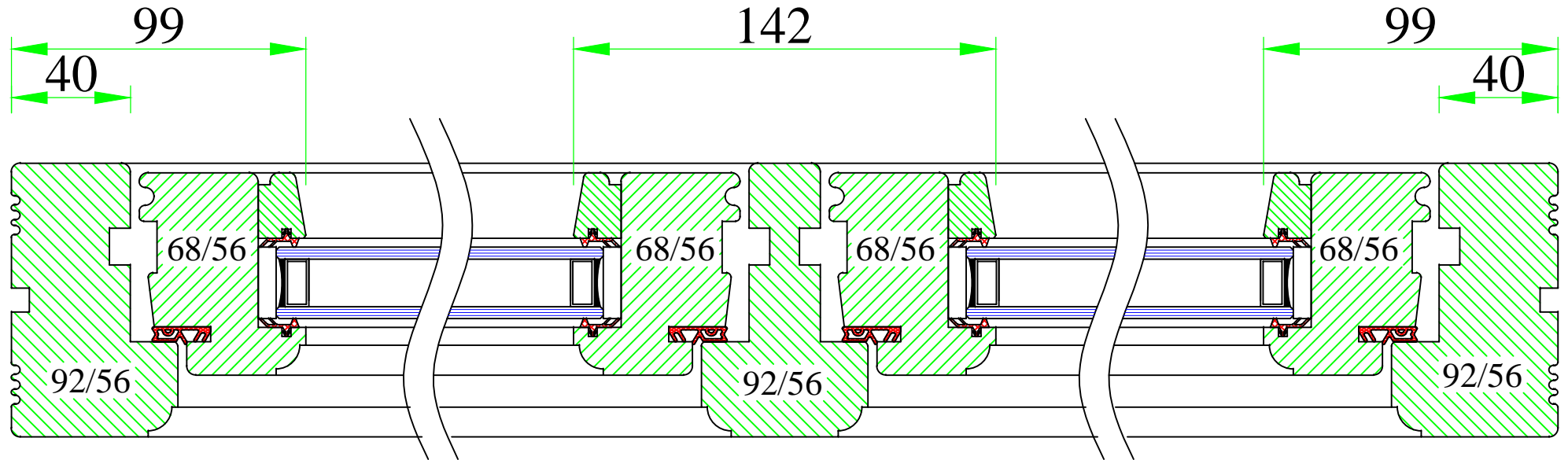
UNI WINDOWS Ltd.
 Unit 6, Edgefield Industrial Est.
 Loanhead, EH20 9TB
 Tel.: 0131 448 3931

FLUSH CASEMENT
 Double opening window with 'flying' mullion

Version: 1	Scale: 1:2
Date: 15.05.14	Drawing: NOA/1-1



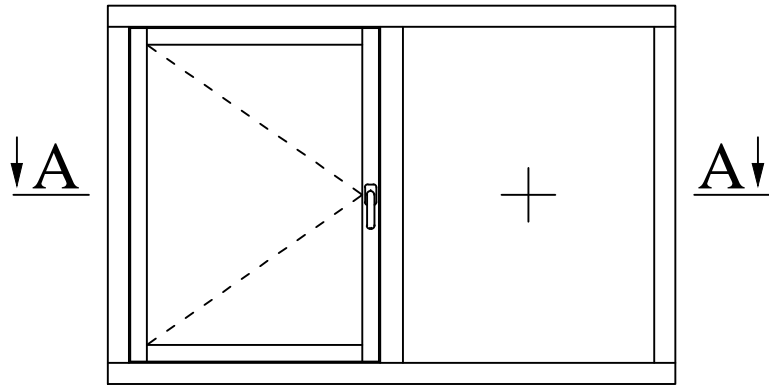
A-A



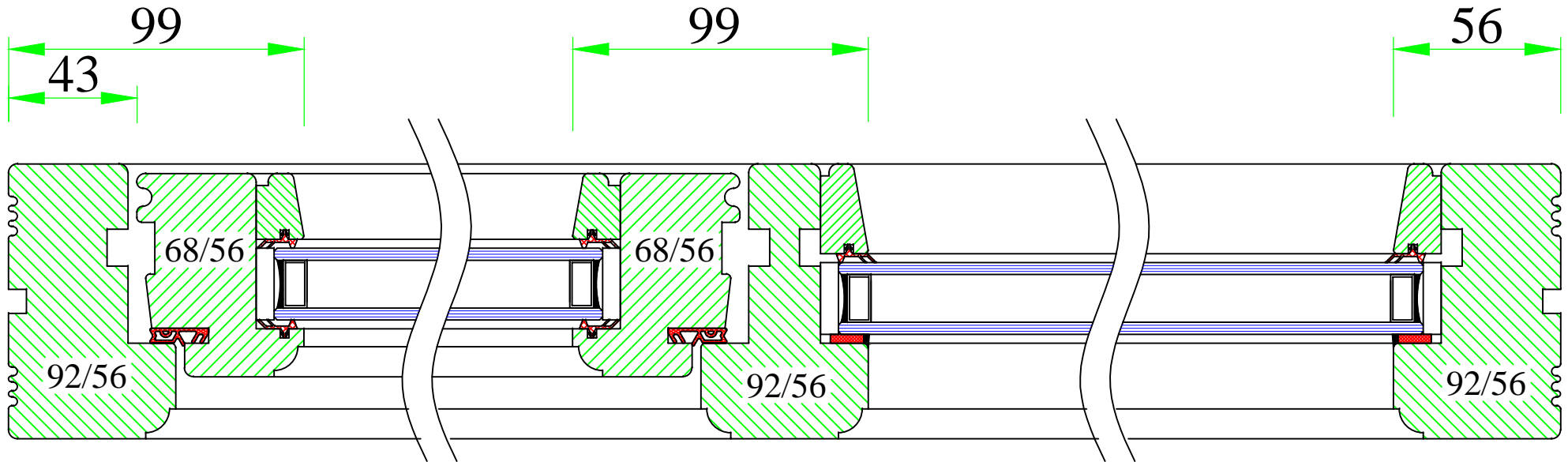
UNI WINDOWS Ltd.
 Unit 6, Edgefield Industrial Est.
 Loanhead, EH20 9TB
 Tel.: 0131 448 3931

FLUSH CASEMENT
 Double opening window with fixed mullion 56mm

Version: 1	Scale: 1:1
Date: 15.05.14	Drawing: NOA/3



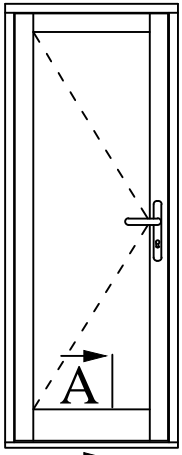
A-A



UNI WINDOWS Ltd.
 Unit 6, Edgefield Industrial Est.
 Loanhead, EH20 9TB
 Tel.: 0131 448 3931

FLUSH CASEMENT
 Window with fixed glazing, fixed post

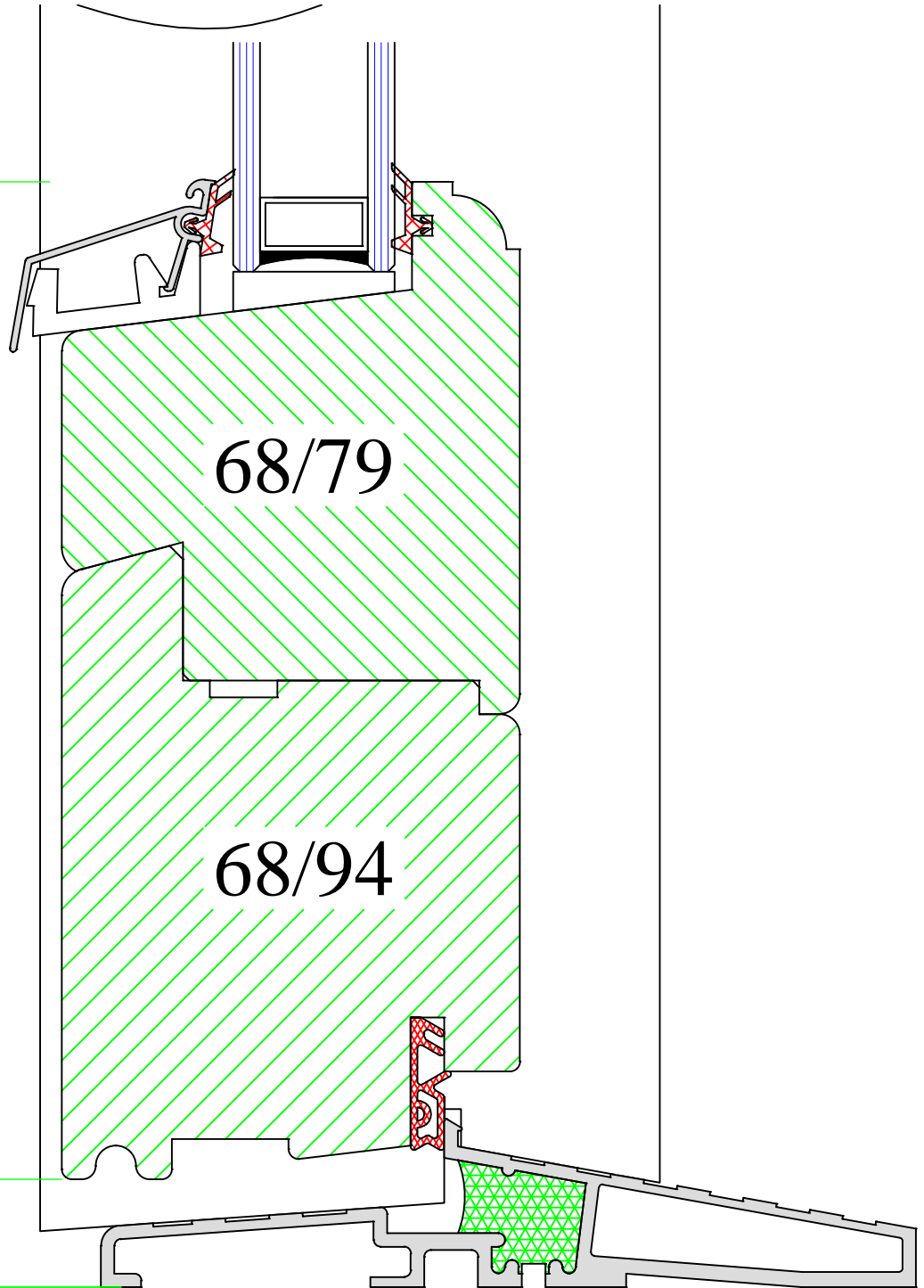
Version: 1	Scale: 1:2
Date: 15.05.14	Drawing: NOA/1



A

165

16



68/79

68/94

www.uniwin.co.uk



UNI WINDOWS Ltd.
 Unit 6, Edgefield Industrial Est.
 Loanhead, EH20 9TB
 Tel.: 0131 448 3931

FLUSH CASEMENT

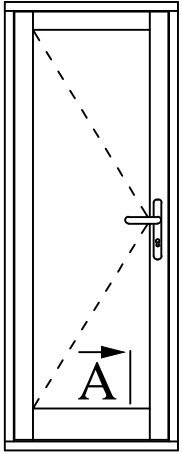
External door with DAFA aluminium threshold

Version:
1

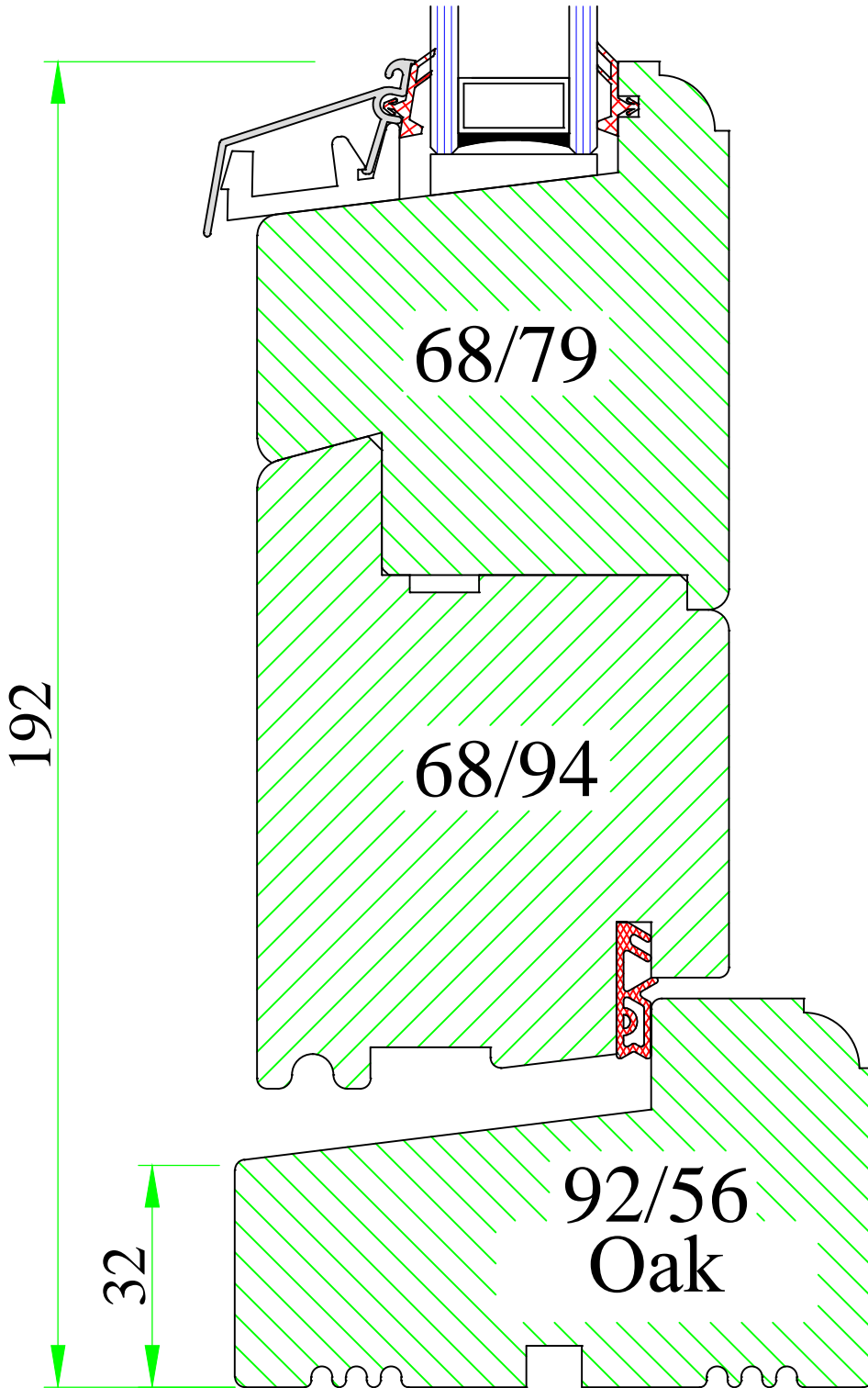
Date:
15.05.14

Scale:
1:1

Drawing:
NDA/1



A



www.uniwin.co.uk

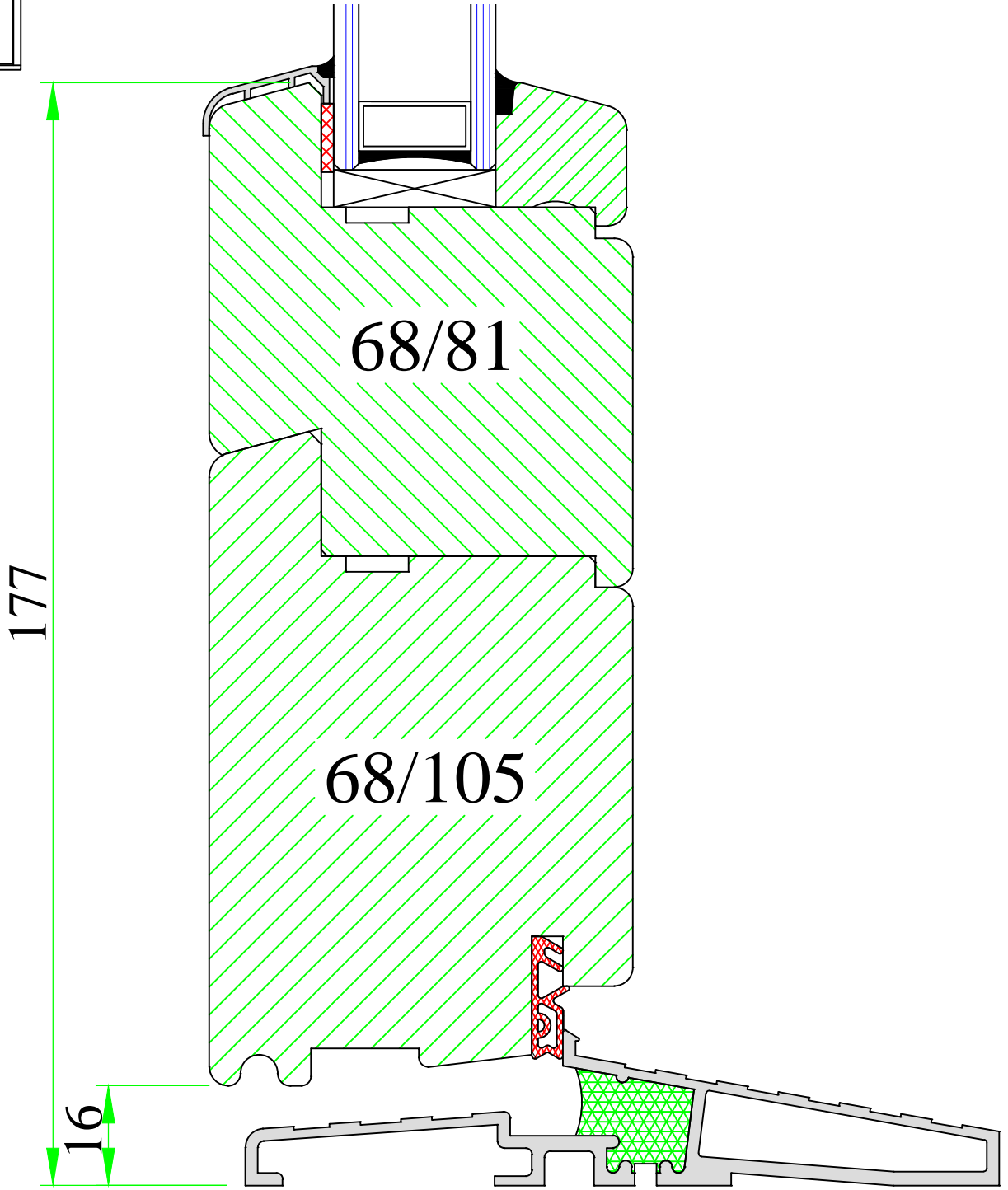
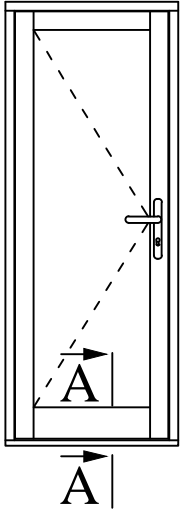


UNI WINDOWS Ltd.
 Unit 6, Edgefield Industrial Est.
 Loanhead, EH20 9TB
 Tel.: 0131 448 3931

FLUSH CASEMENT

External door with wooden threshold

Version: 1	Scale: 1:1
Date: 15.05.14	Drawing: NDA/2



www.uniwin.co.uk

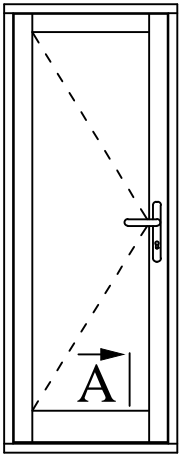


UNI WINDOWS Ltd.
 Unit 6, Edgefield Industrial Est.
 Loanhead, EH20 9TB
 Tel.: 0131 448 3931

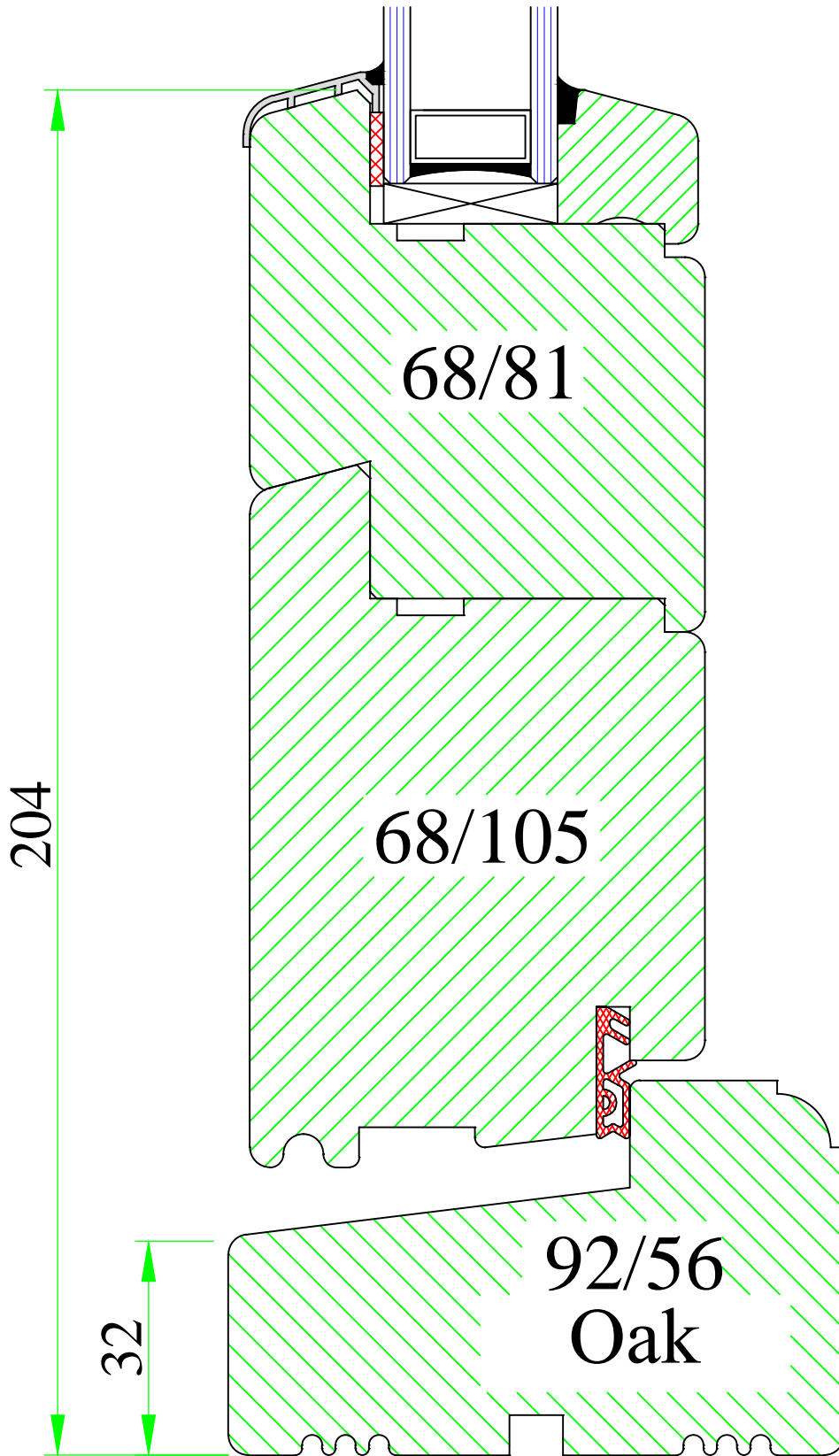
FLUSH CASEMENT

External door with DAFA aluminium
 threshold (ver. **NewLine**)

Version: 1	Scale: 1:1
Date: 15.05.14	Drawing: NDA/3



A

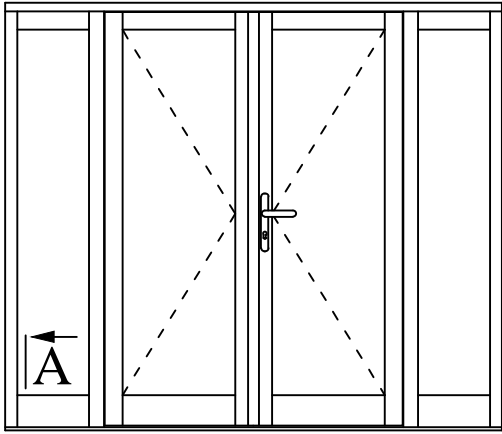


UNI WINDOWS Ltd.
 Unit 6, Edgefield Industrial Est.
 Loanhead, EH20 9TB
 Tel.: 0131 448 3931

FLUSH CASEMENT

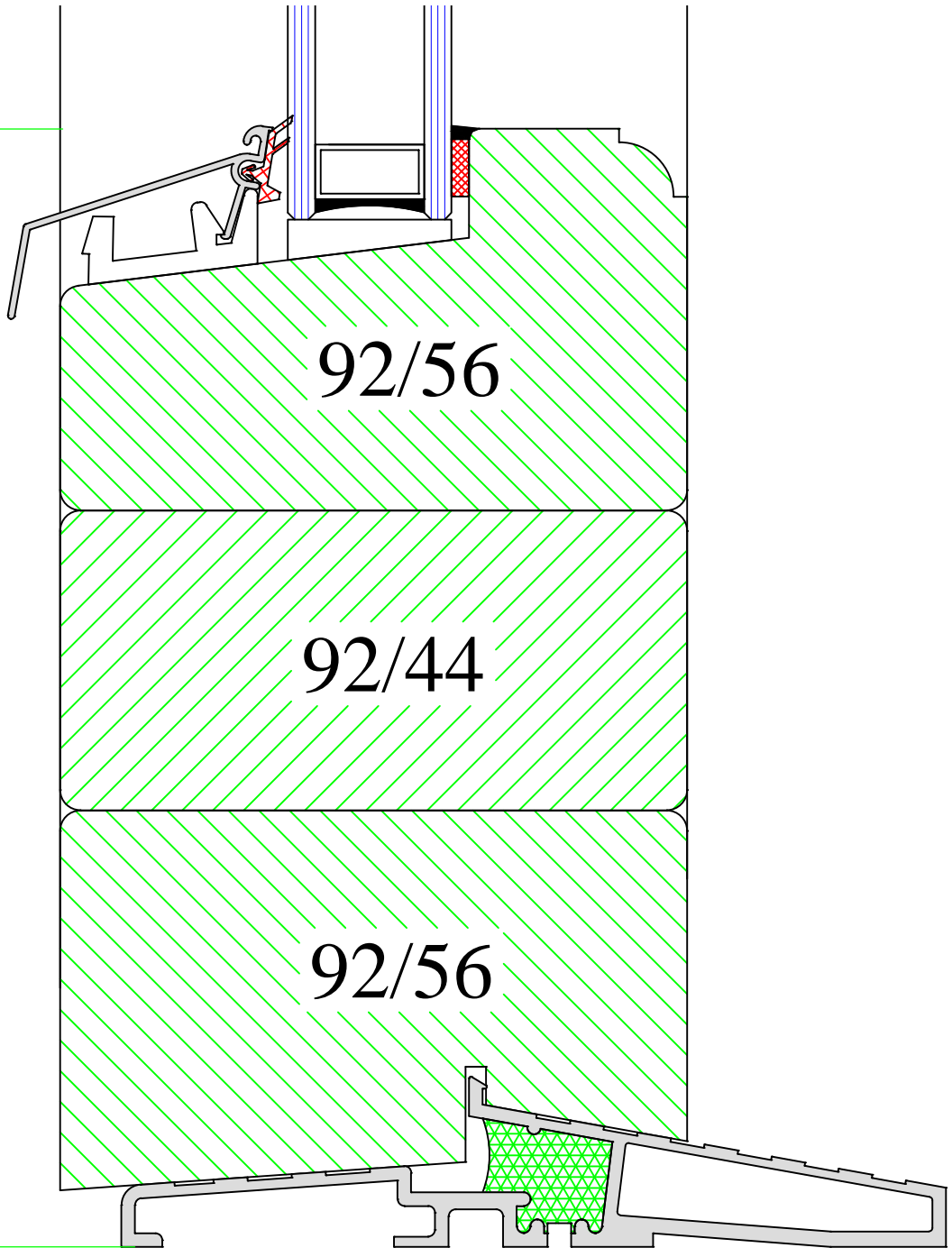
External door with wooden threshold
 (ver. **NewLine**)

Version: 1	Scale: 1:1
Date: 15.05.14	Drawing: NDA/4



A

165



92/56

92/44

92/56

www.uniwin.co.uk

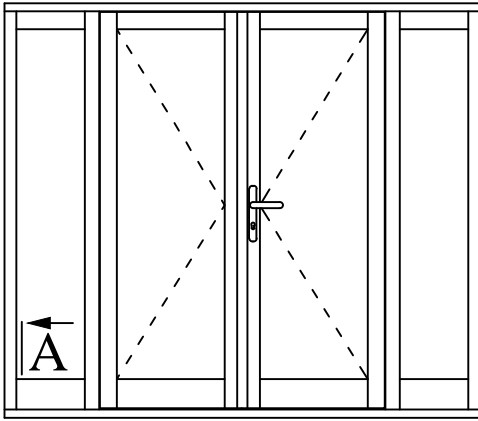


UNI WINDOWS Ltd.
 Unit 6, Edgefield Industrial Est.
 Loanhead, EH20 9TB
 Tel.: 0131 448 3931

FLUSH CASEMENT

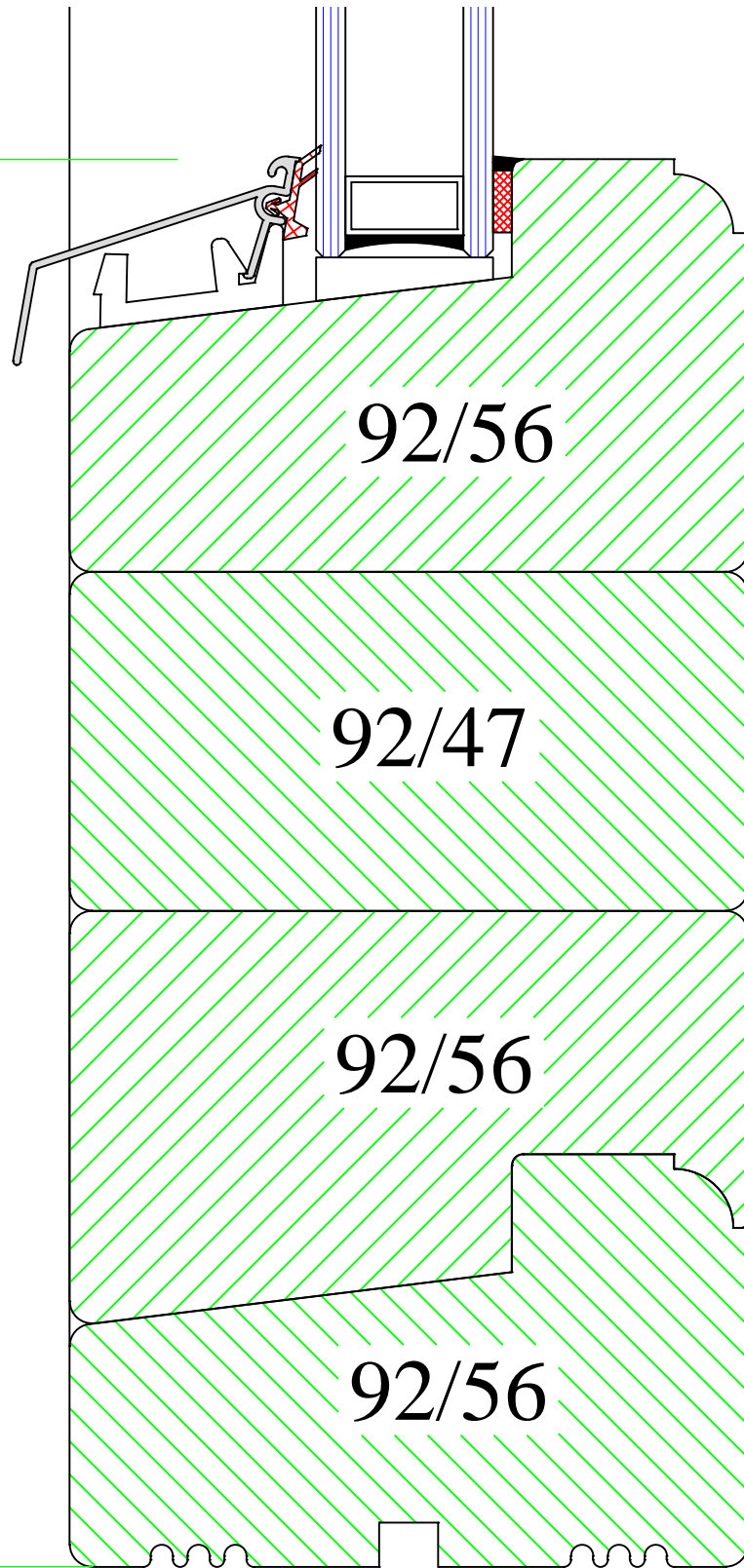
Frame equalization for balcony door –
 DAFA aluminium threshold

Version: 1	Scale: 1:1
Date: 15.05.14	Drawing: NDA/5



A

192



www.uniwin.co.uk



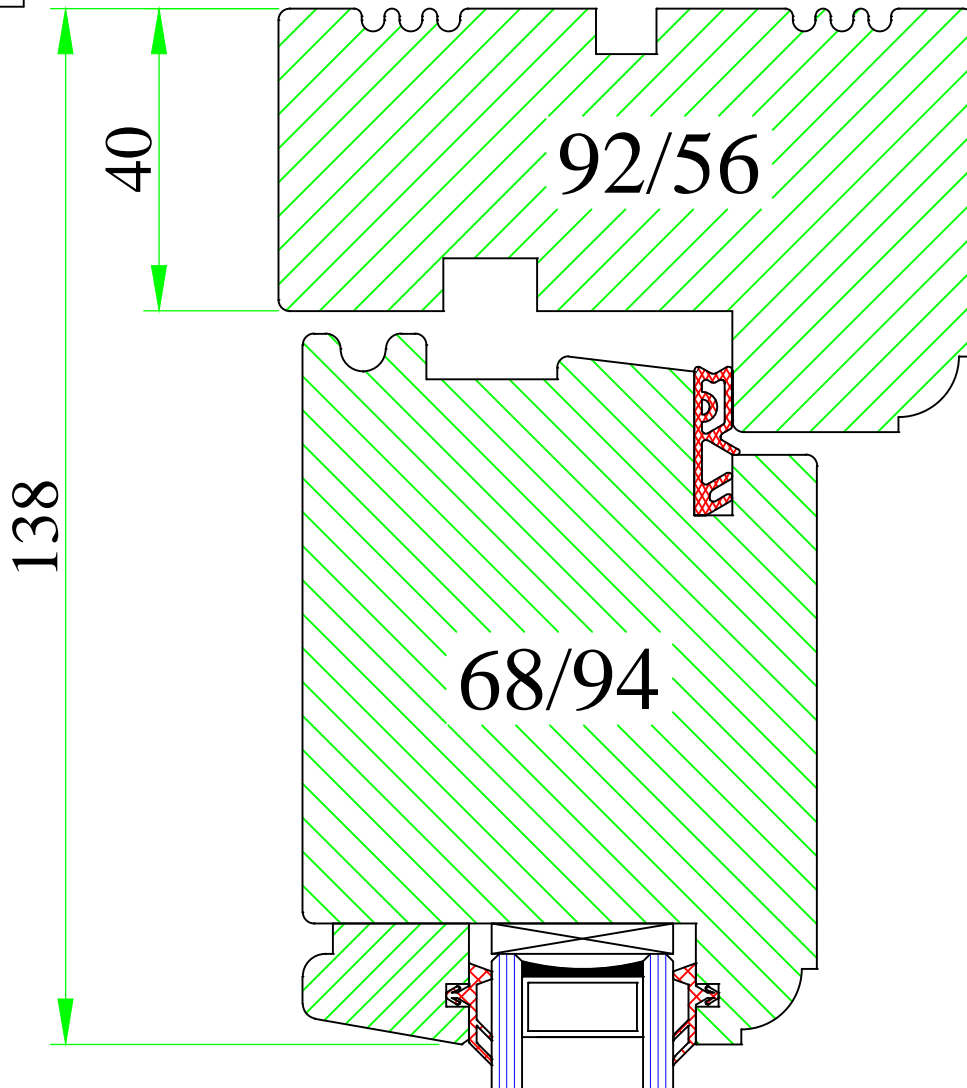
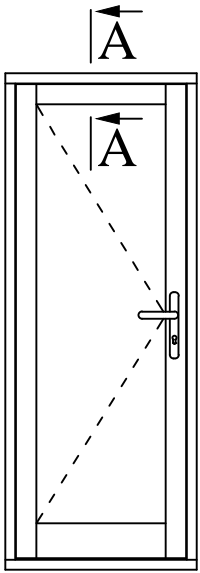
UNI WINDOWS Ltd.
 Unit 6, Edgefield Industrial Est.
 Loanhead, EH20 9TB
 Tel.: 0131 448 3931

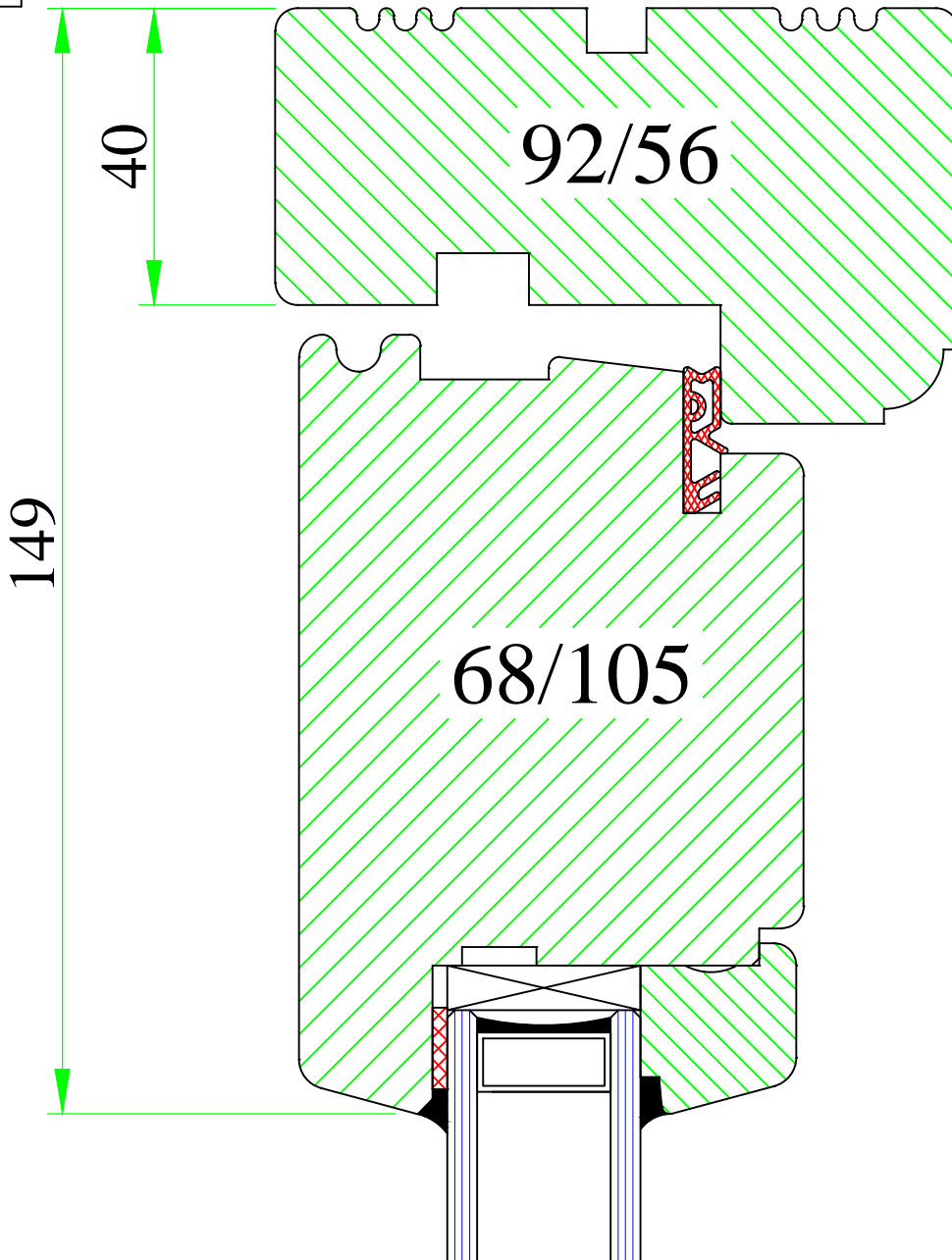
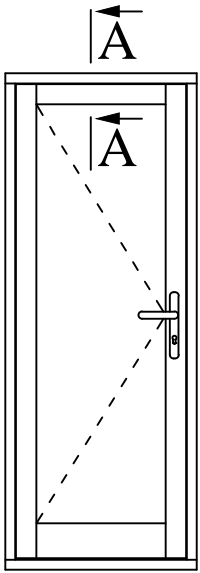
FLUSH CASEMENT

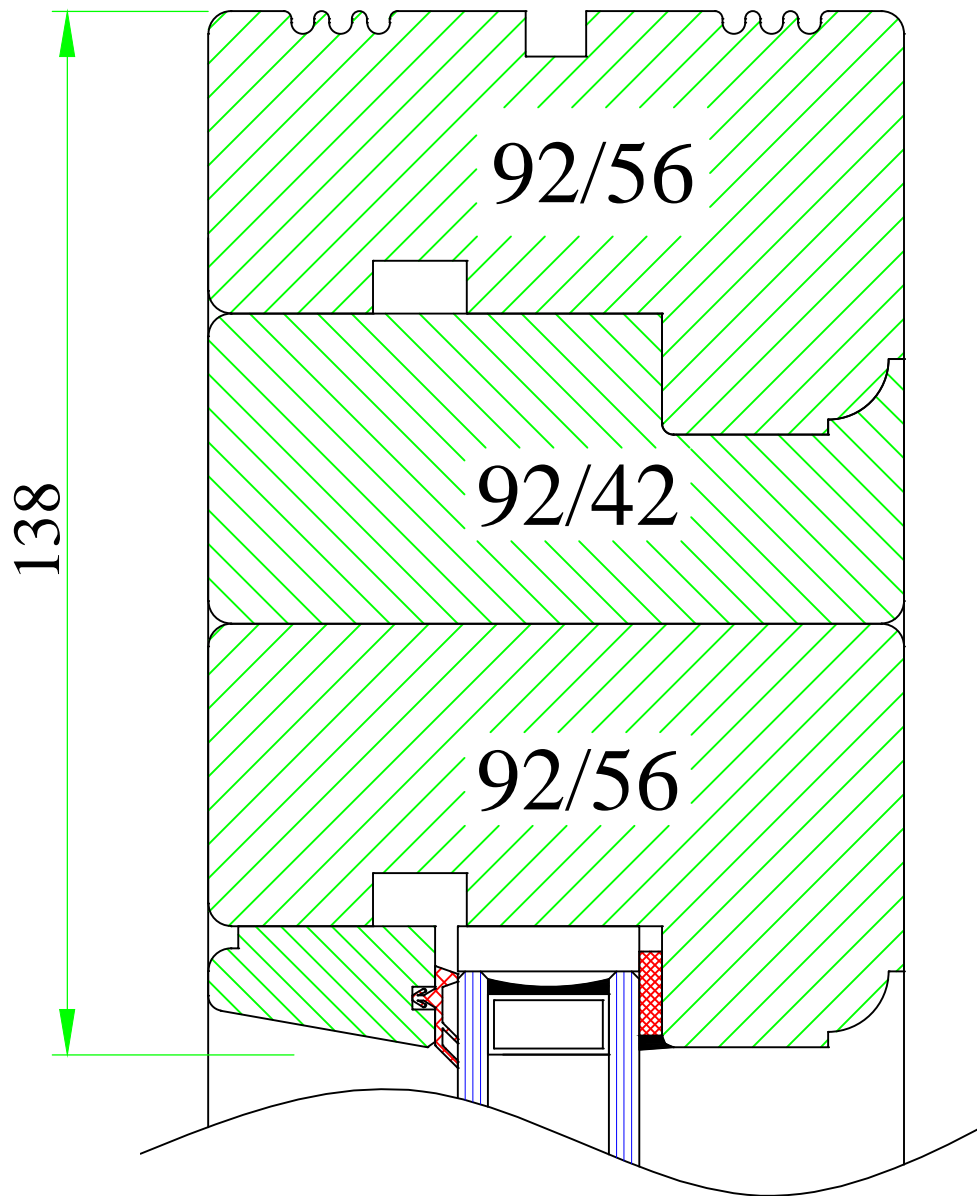
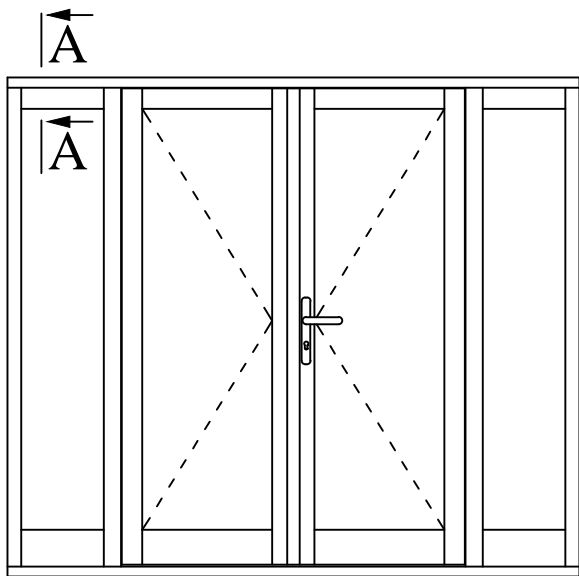
Frame equalization for balcony door –
 wooden threshold

Version:
 1
 Date:
 15.05.14

Scale:
 1:1
 Drawing:
 NDA/6







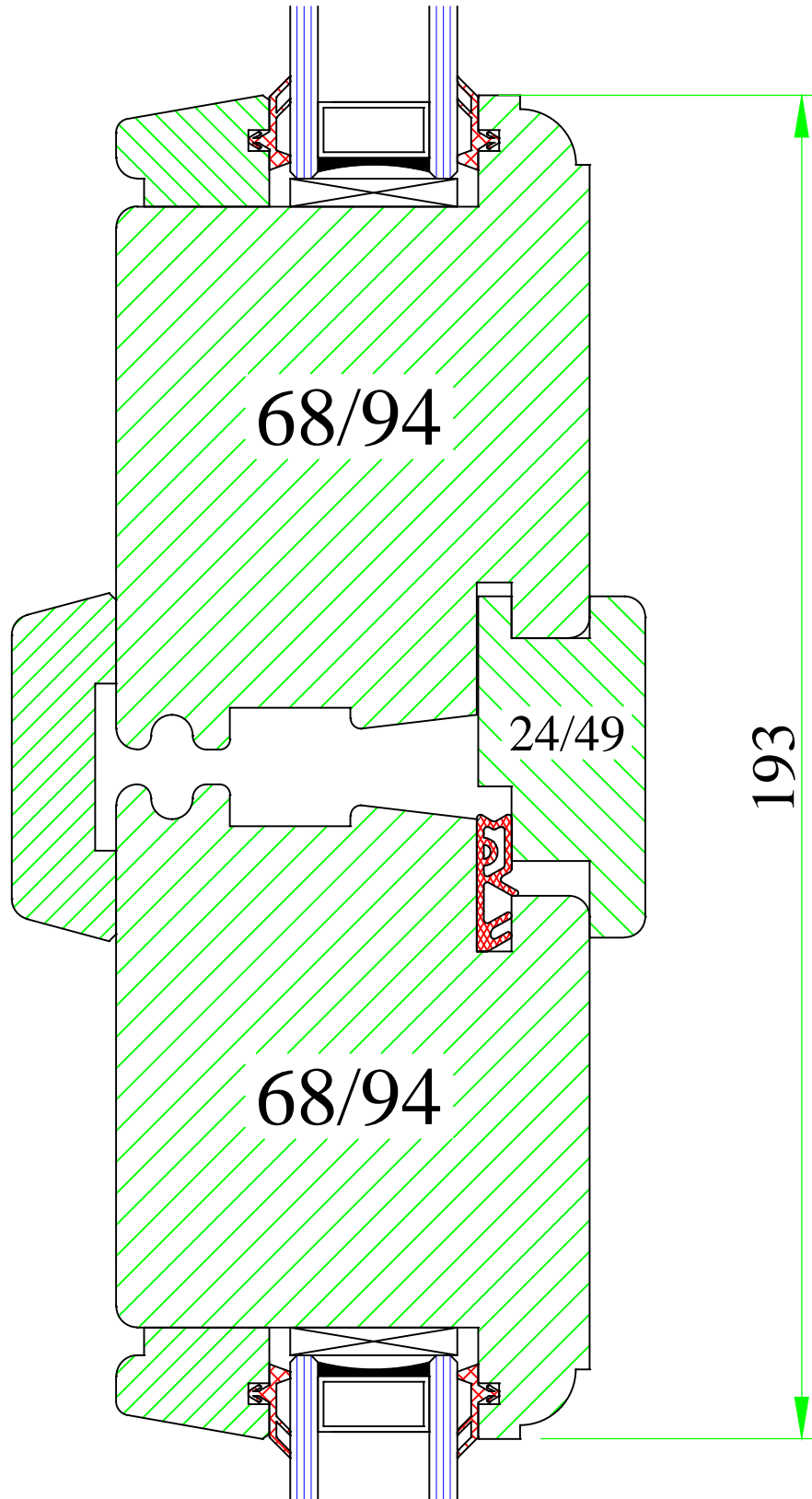
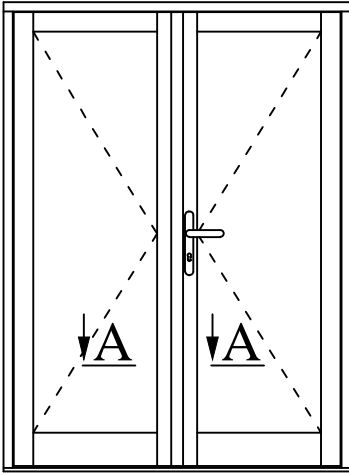
www.uniwin.co.uk



UNI WINDOWS Ltd.
 Unit 6, Edgefield Industrial Est.
 Loanhead, EH20 9TB
 Tel.: 0131 448 3931

FLUSH CASEMENT
 Glass line alignment in balcony door – top of
 fixed light

Version: 1	Scale: 1:1
Date: 15.05.14	Drawing: NDA/8

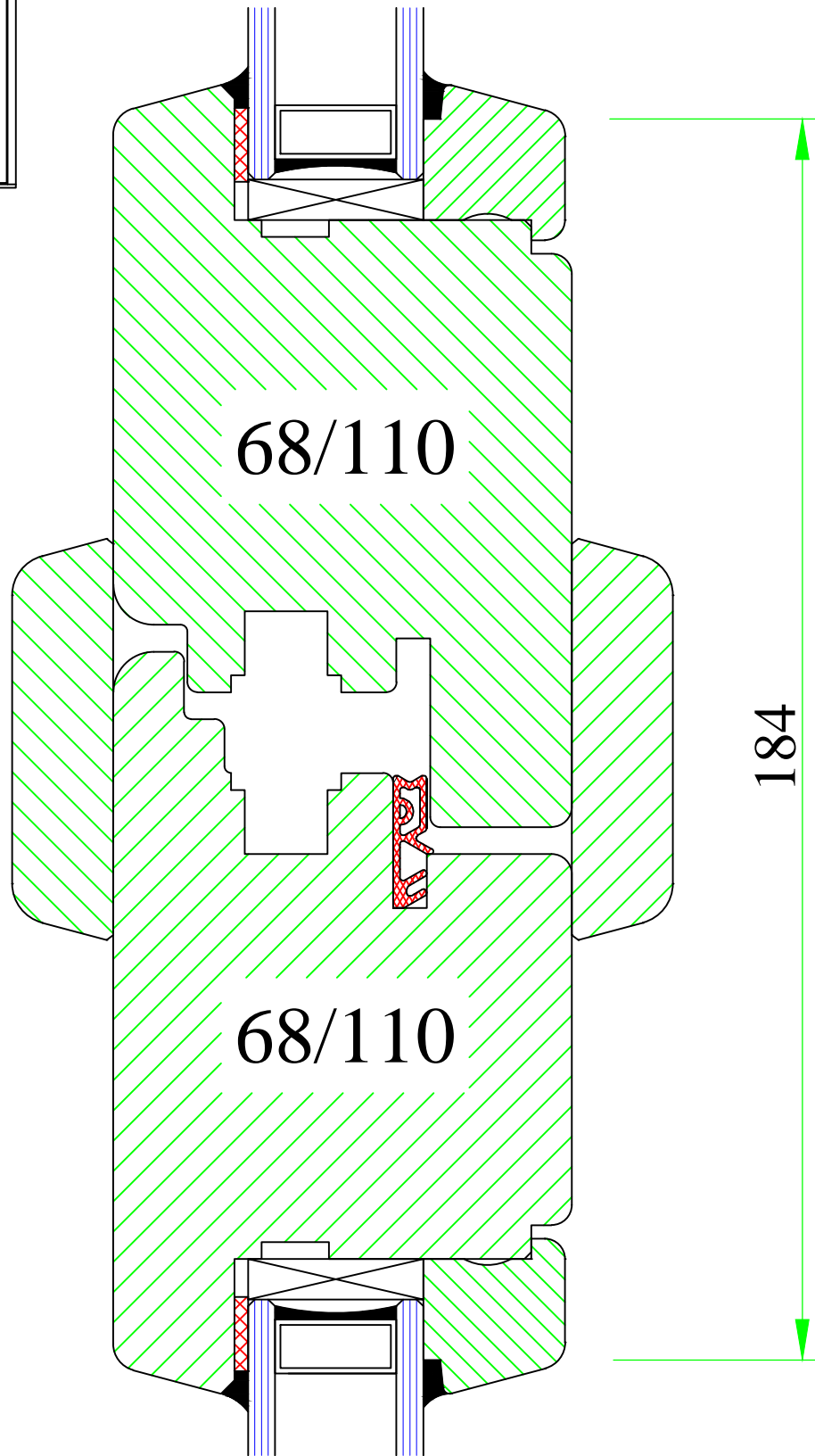
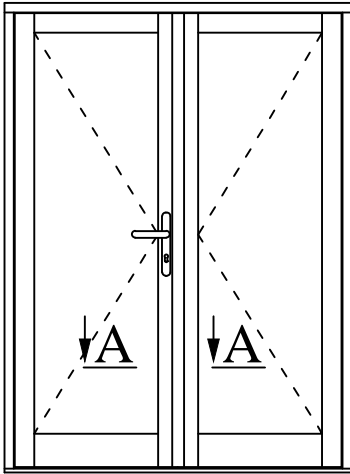


UNI WINDOWS Ltd.
 Unit 6, Edgefield Industrial Est.
 Loanhead, EH20 9TB
 Tel.: 0131 448 3931

FLUSH CASEMENT

Flying mullion

Version: 1	Scale: 1:1
Date: 15.05.14	Drawing: ND/9



www.uniwin.co.uk

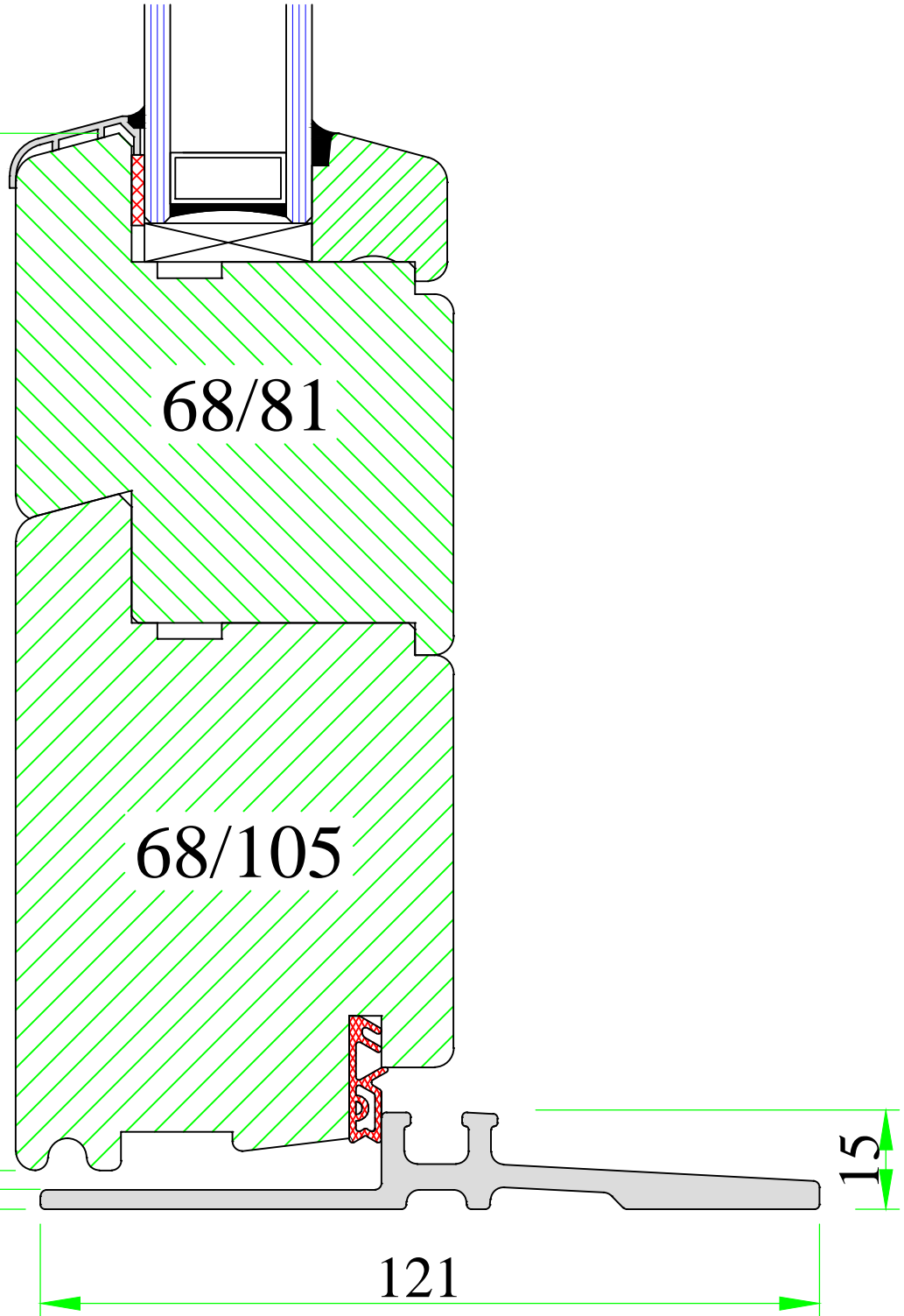
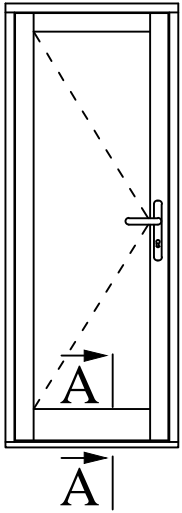


UNI WINDOWS Ltd.
 Unit 6, Edgefield Industrial Est.
 Loanhead, EH20 9TB
 Tel.: 0131 448 3931

FLUSH CASEMENT

Flying mullion

Version: 1	Scale: 1:1
Date: 15.05.14	Drawing: NDA/9-2



Y

163

68/81

68/105

6

3

121

15

www.uniwin.co.uk



UNI WINDOWS Ltd.
 Unit 6, Edgefield Industrial Est.
 Loanhead, EH20 9TB
 Tel.: 0131 448 3931

FLUSH CASEMENT

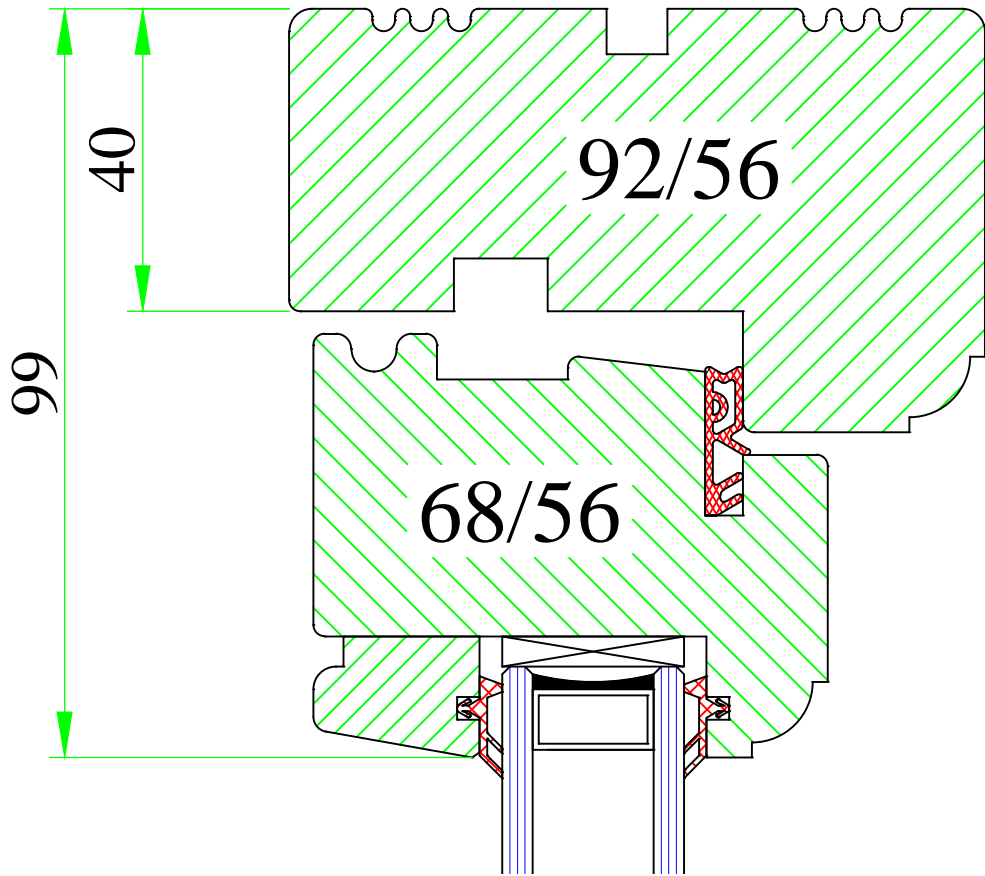
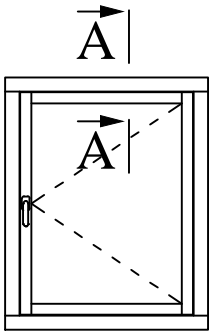
External door with ULT threshold

Version:
1

Date:
15.05.14

Scale:
1:2

Drawing:
NDA/10

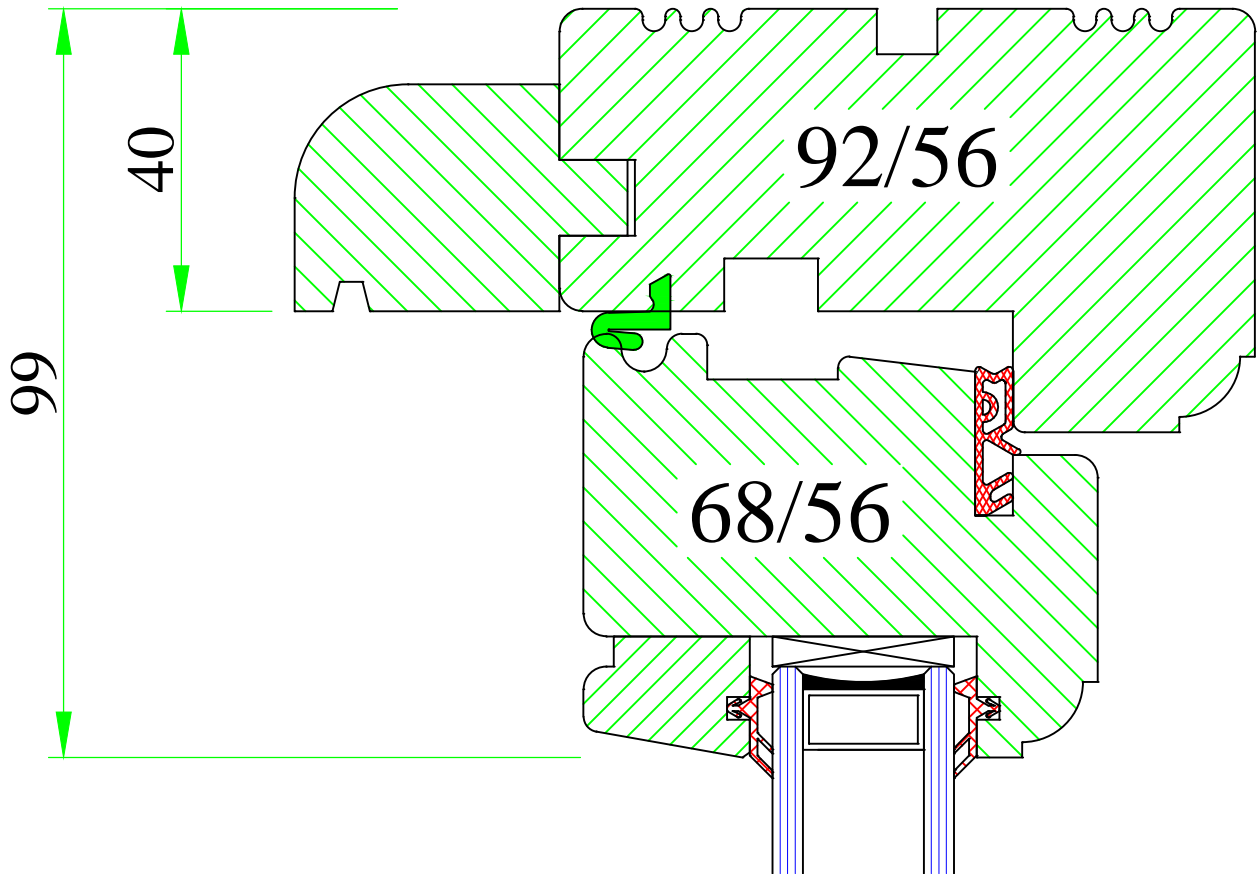
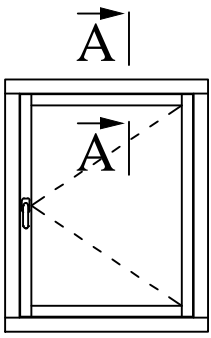


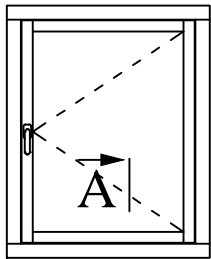
UNI WINDOWS Ltd.
 Unit 6, Edgefield Industrial Est.
 Loanhead, EH20 9TB
 Tel.: 0131 448 3931

FLUSH CASEMENT

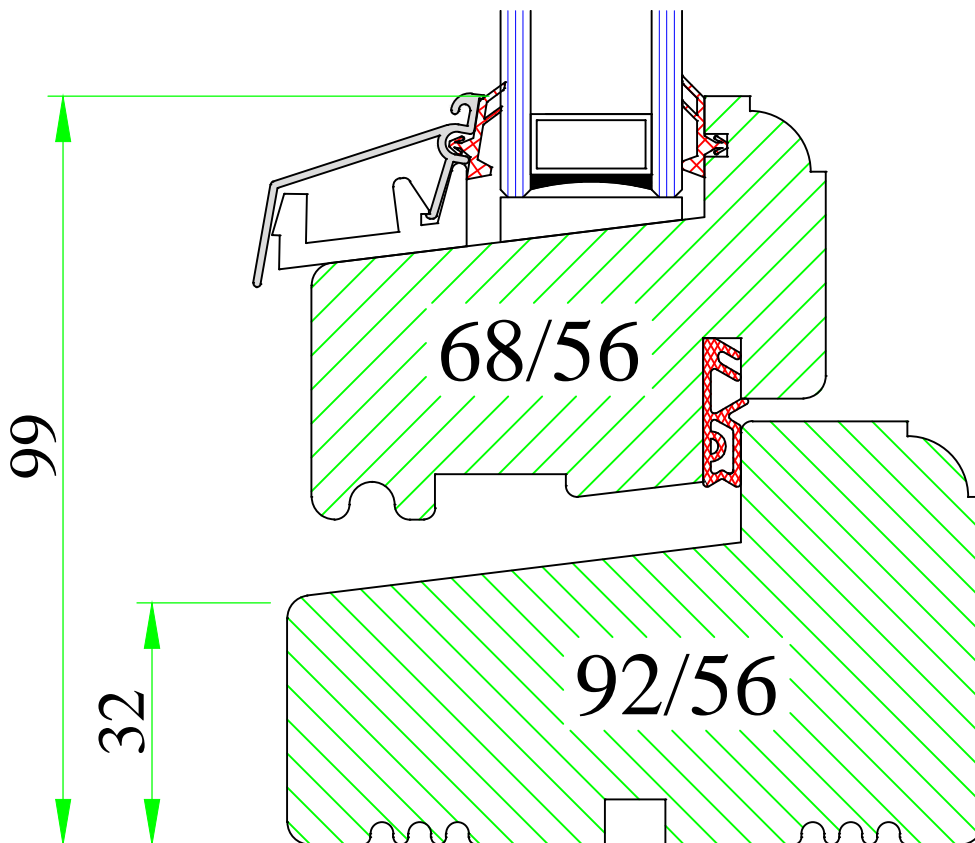
Frame-sash connection – top and sides

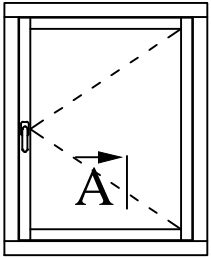
Version: 1	Scale: 1:1
Date: 15.05.14	Drawing: NA/1



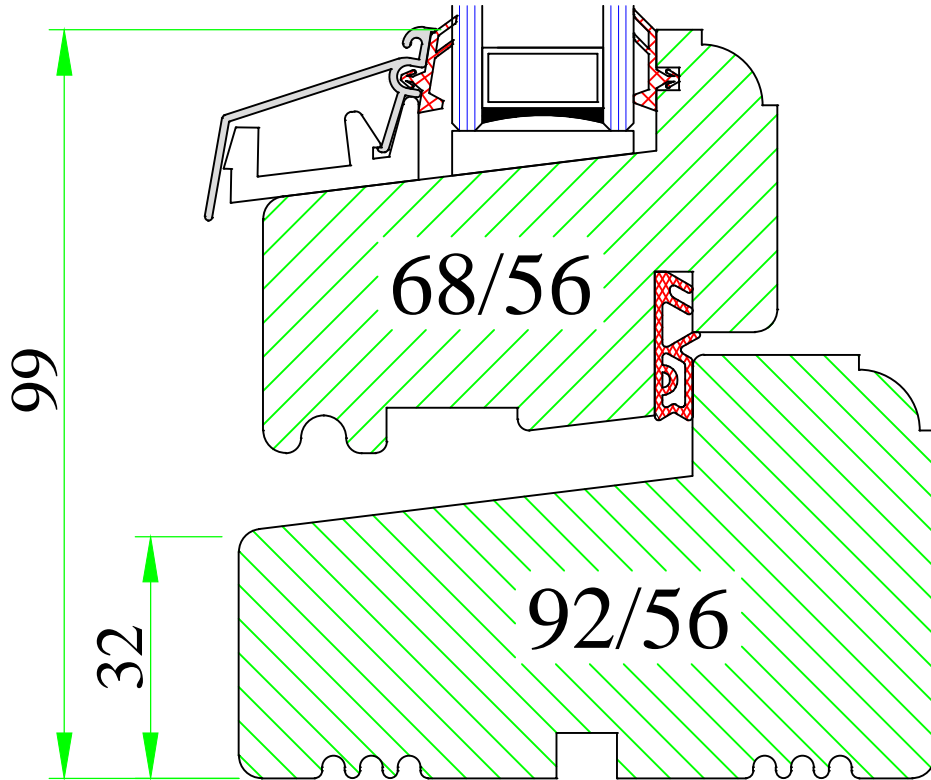


A

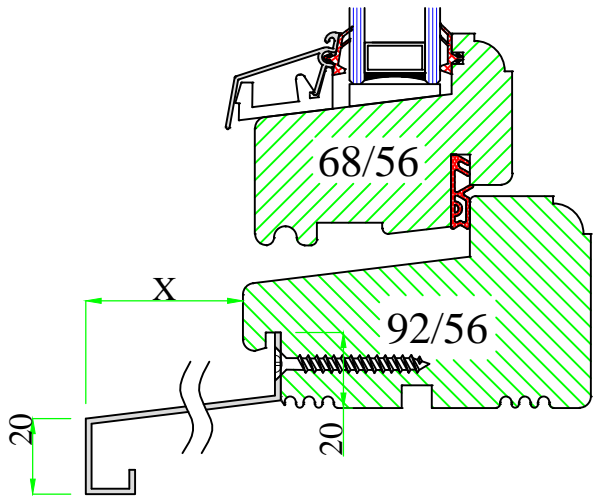


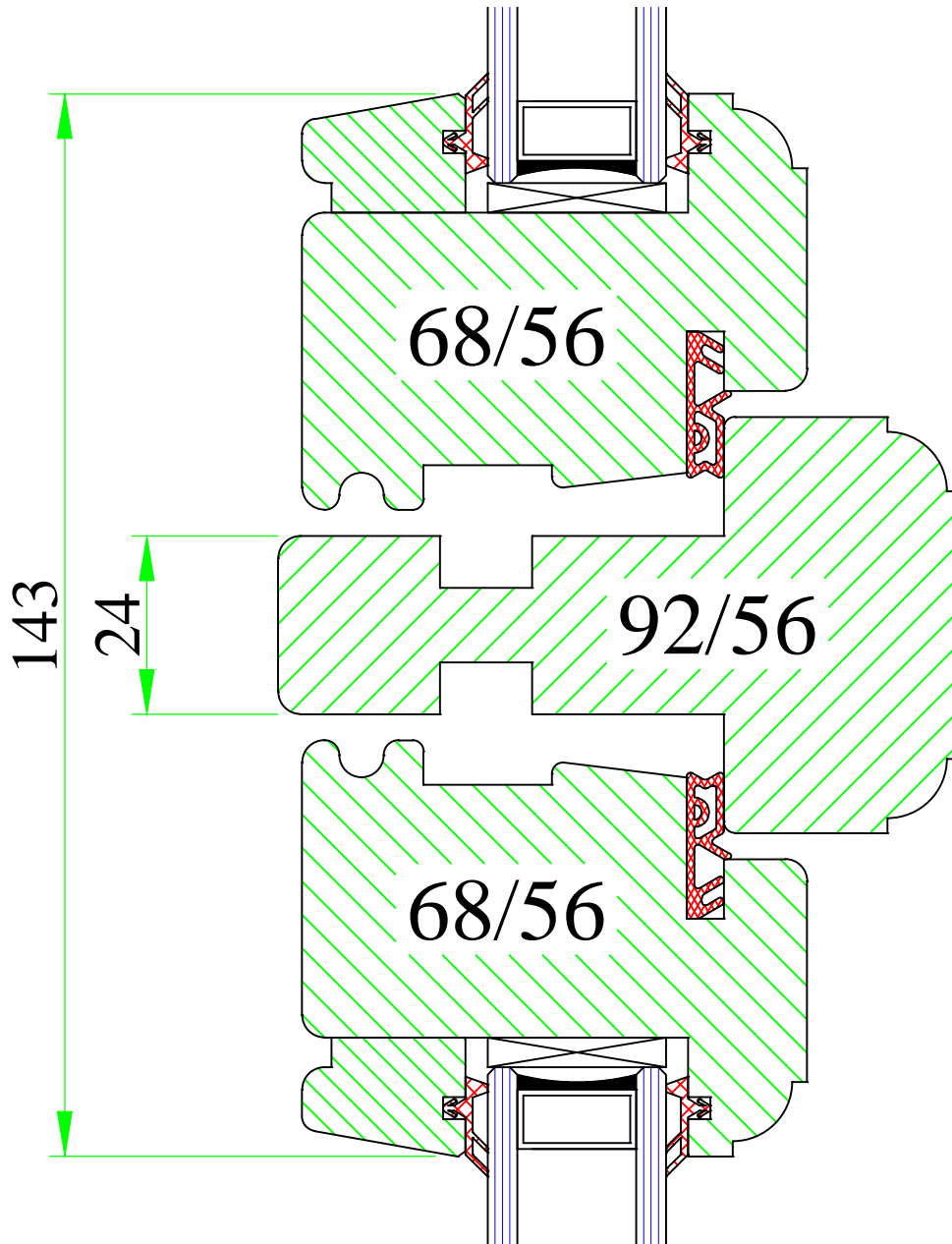
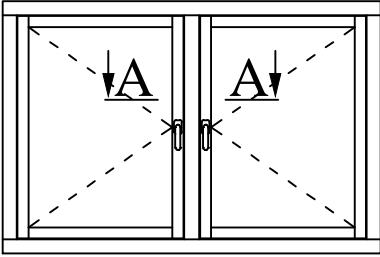


A



A/2/1



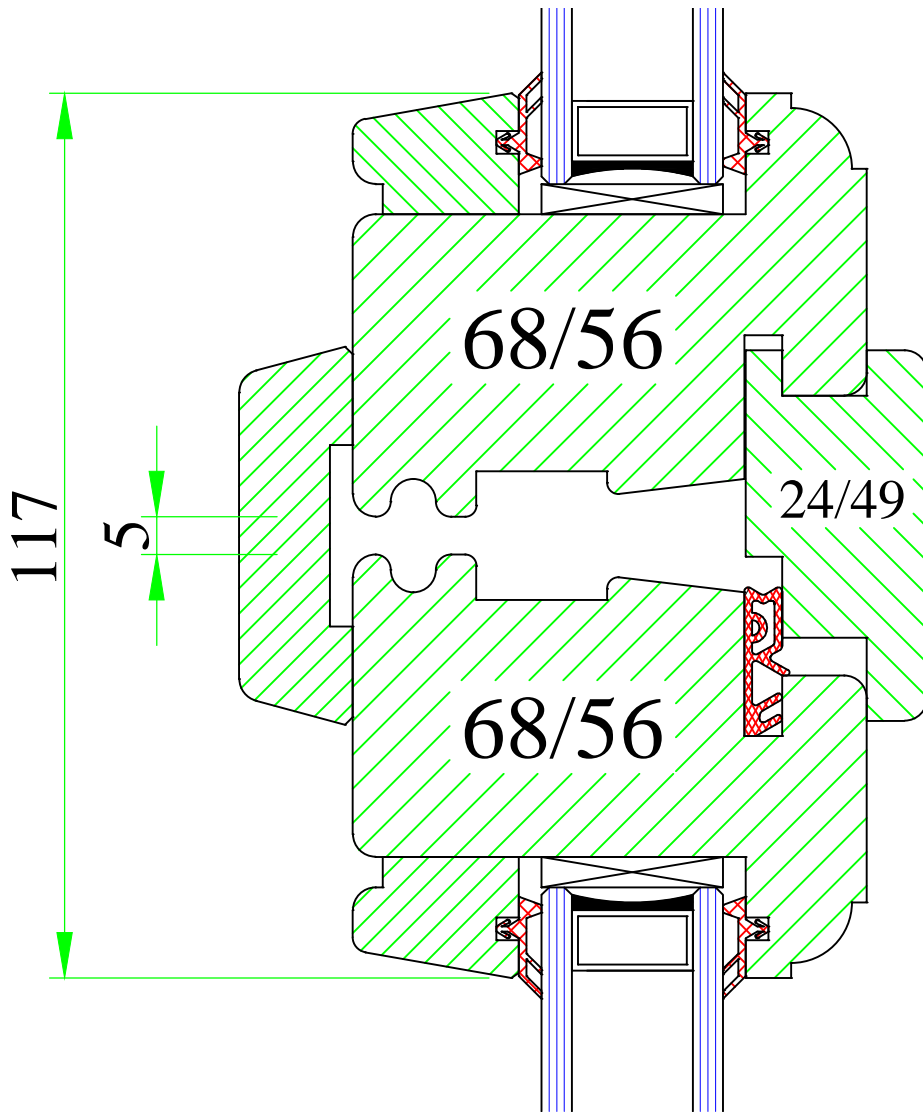
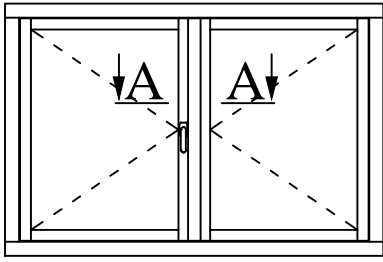


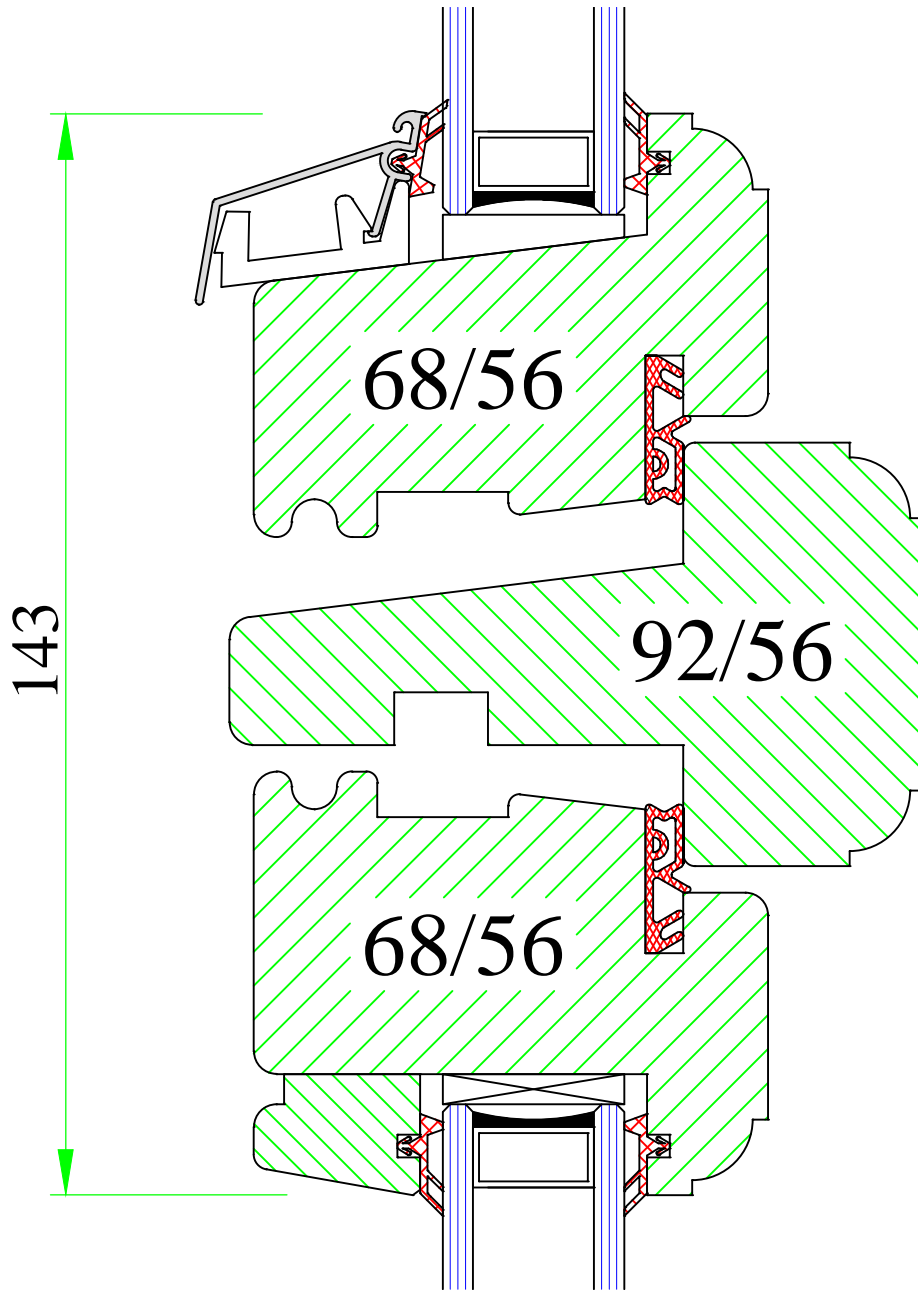
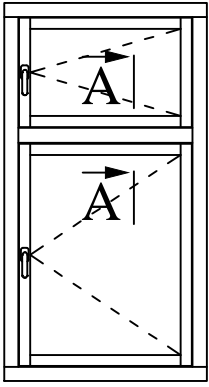
UNI WINDOWS Ltd.
 Unit 6, Edgefield Industrial Est.
 Loanhead, EH20 9TB
 Tel.: 0131 448 3931

FLUSH CASEMENT

Double opening window – fixed mullion 56mm

Version: 1	Scale: 1:1
Date: 15.05.14	Drawing: NA/3



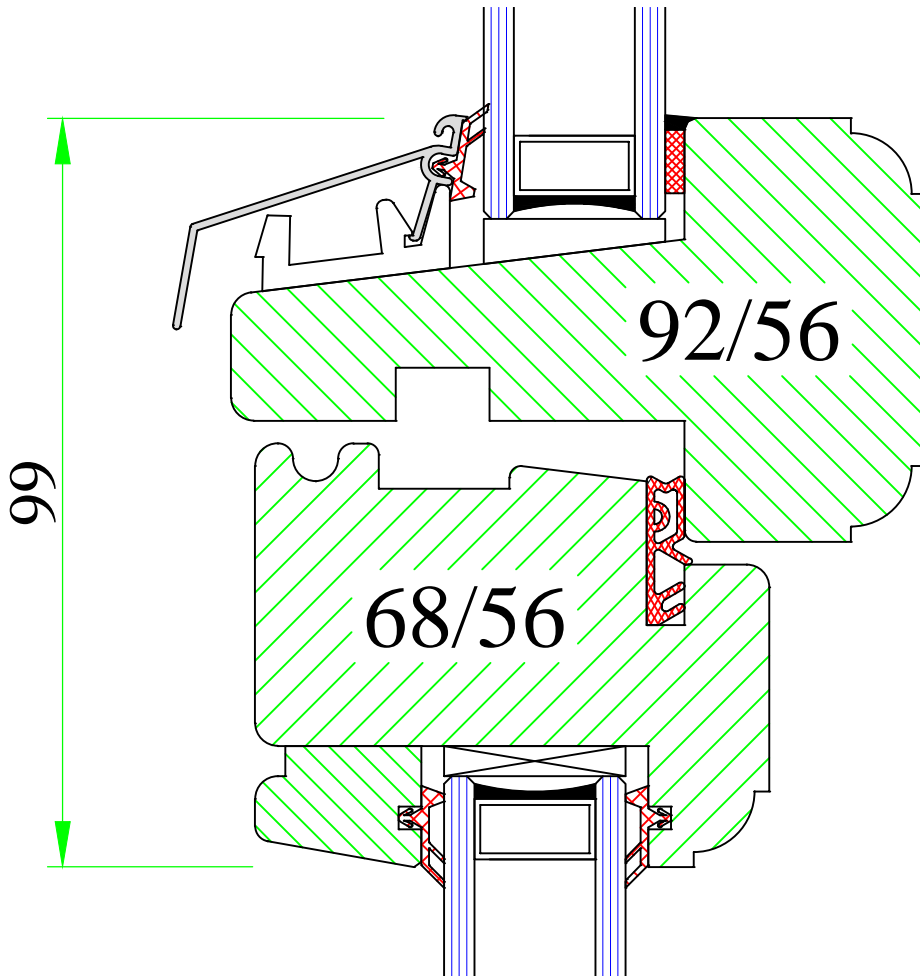
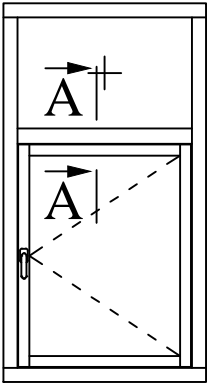


UNI WINDOWS Ltd.
 Unit 6, Edgefield Industrial Est.
 Loanhead, EH20 9TB
 Tel.: 0131 448 3931

FLUSH CASEMENT

Bottom and top sash – transom 56mm

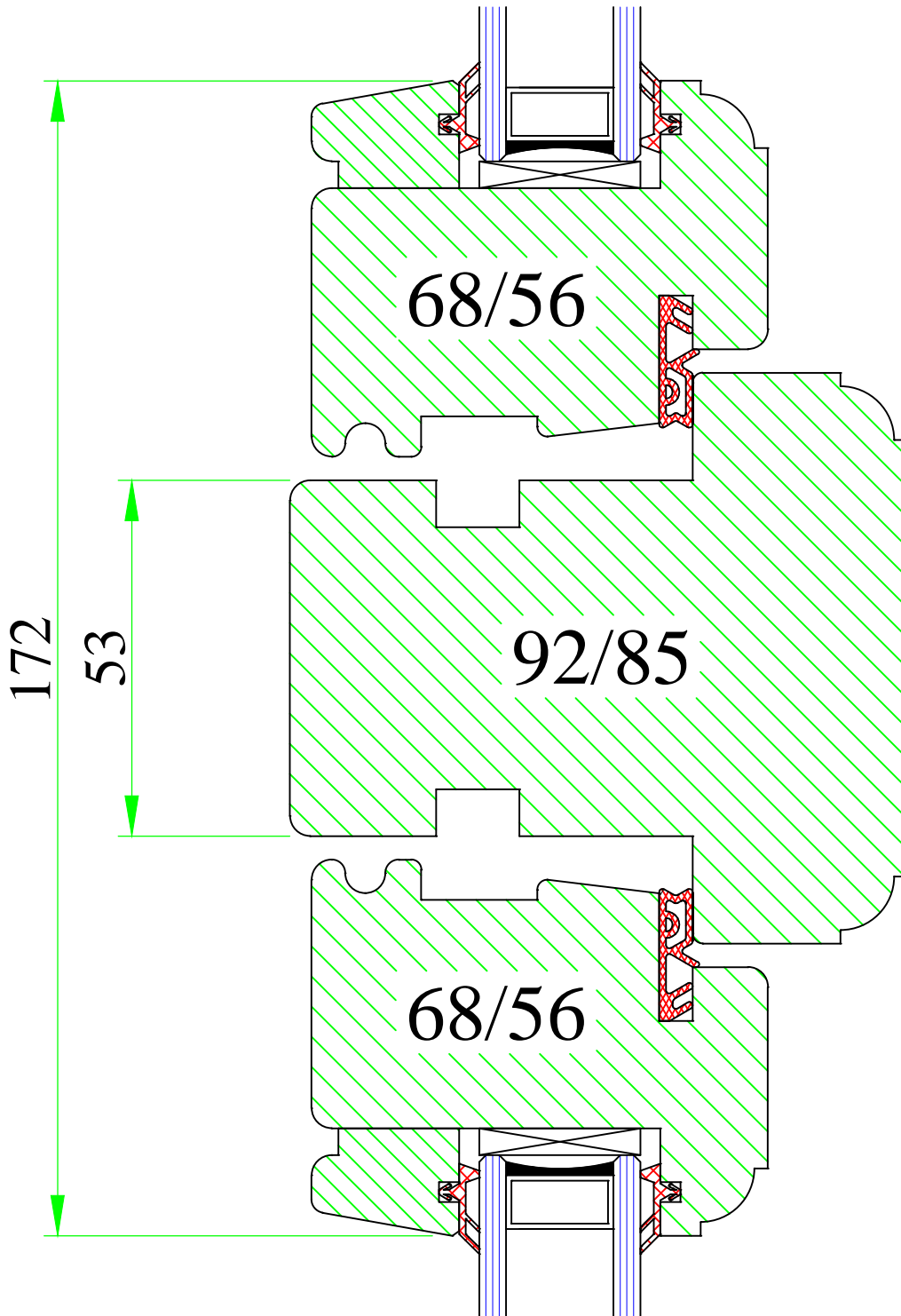
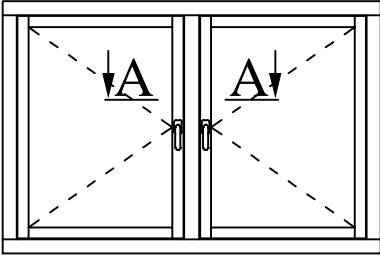
Version: 1	Scale: 1:1
Date: 15.05.14	Drawing: NA/8

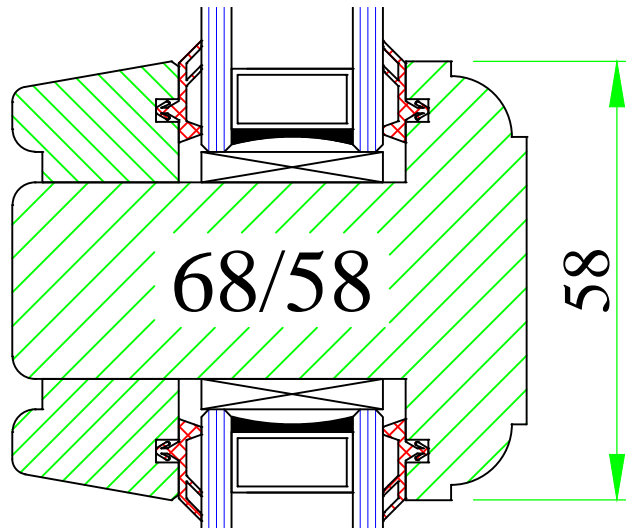
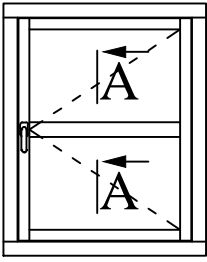


UNI WINDOWS Ltd.
 Unit 6, Edgefield Industrial Est.
 Loanhead, EH20 9TB
 Tel.: 0131 448 3931

FLUSH CASEMENT
 Window with fixed top light

Version: 1	Scale: 1:1
Date: 15.05.14	Drawing: NA/9





UNI WINDOWS Ltd.
 Unit 6, Edgefield Industrial Est.
 Loanhead, EH20 9TB
 Tel.: 0131 448 3931

FLUSH CASEMENT

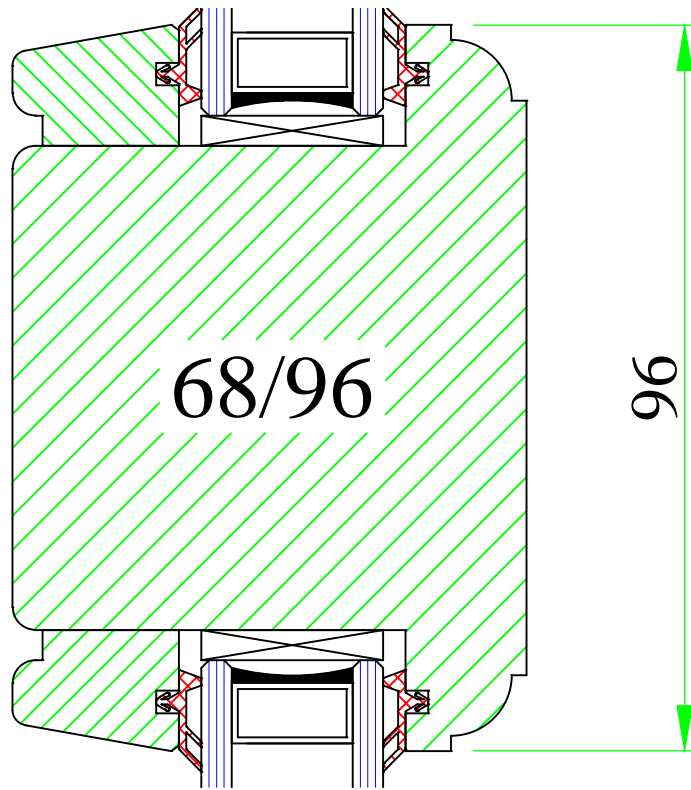
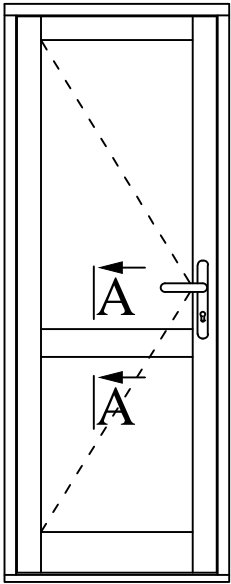
Construction bar 58mm

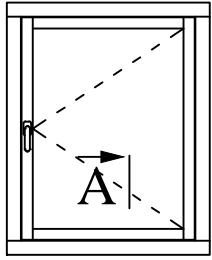
Version:
1

Date:
15.05.14

Scale:
1:1

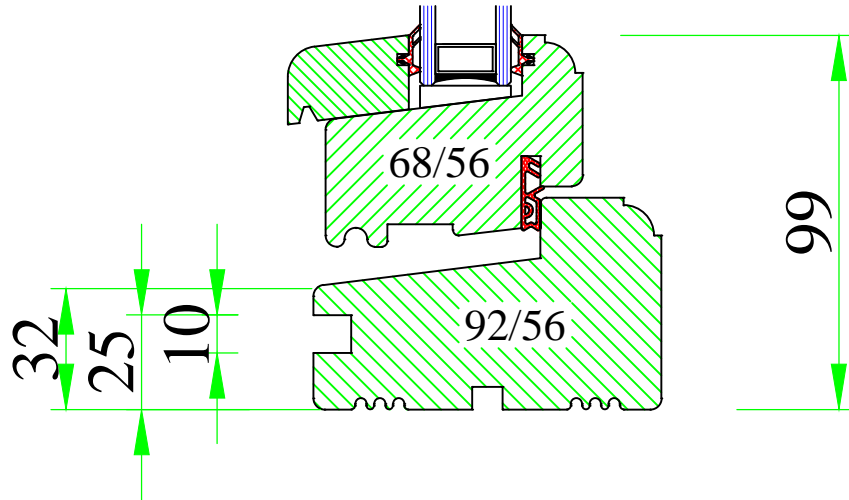
Drawing:
NA/11



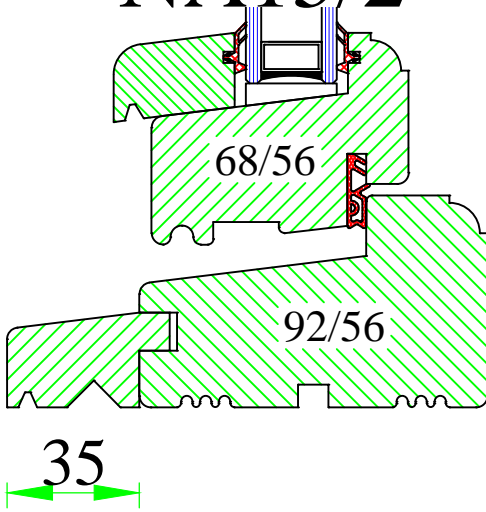


A

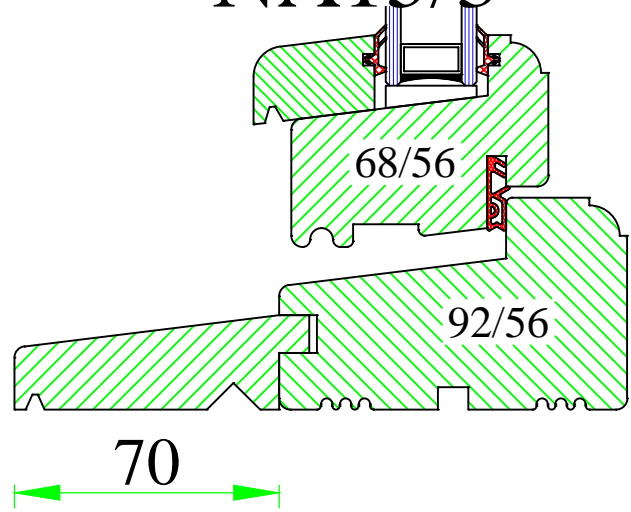
NA15



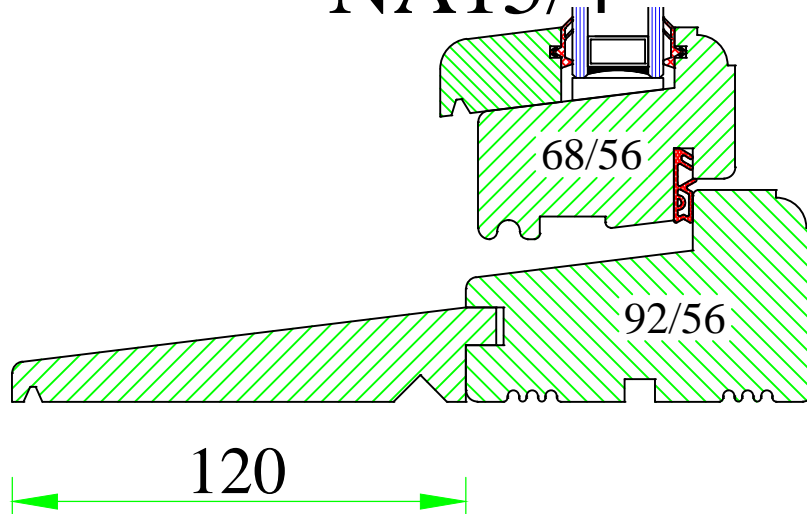
NA15/2

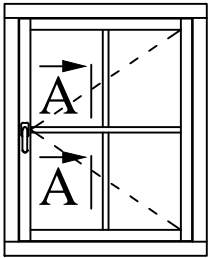


NA15/3

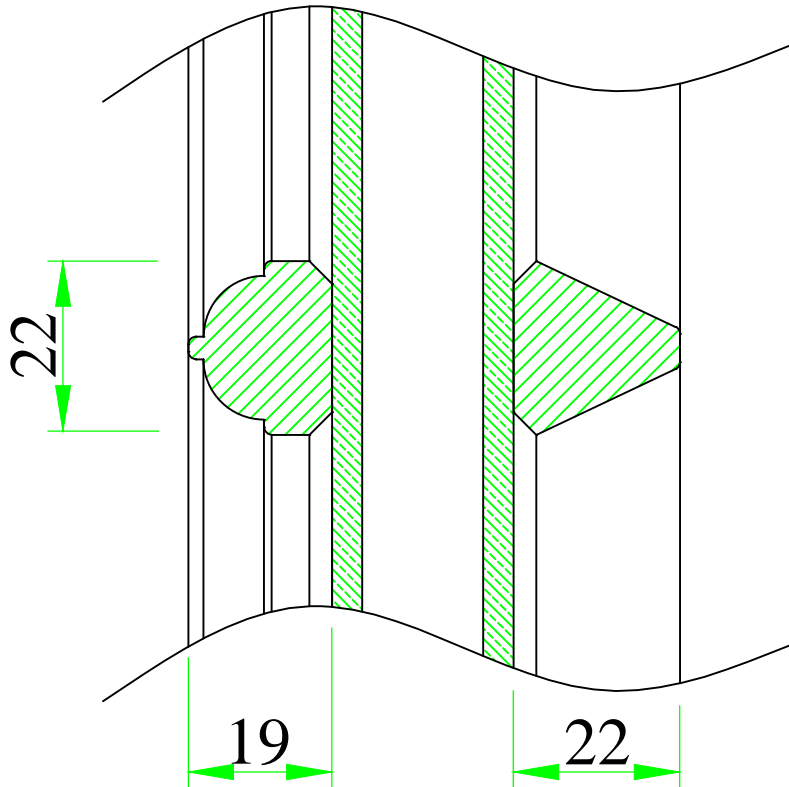


NA15/4





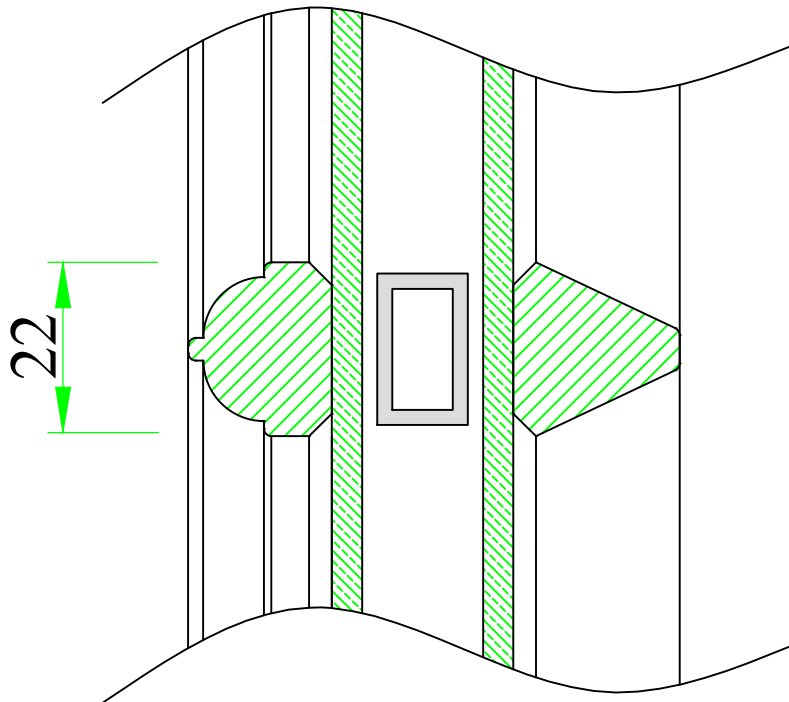
NA/16

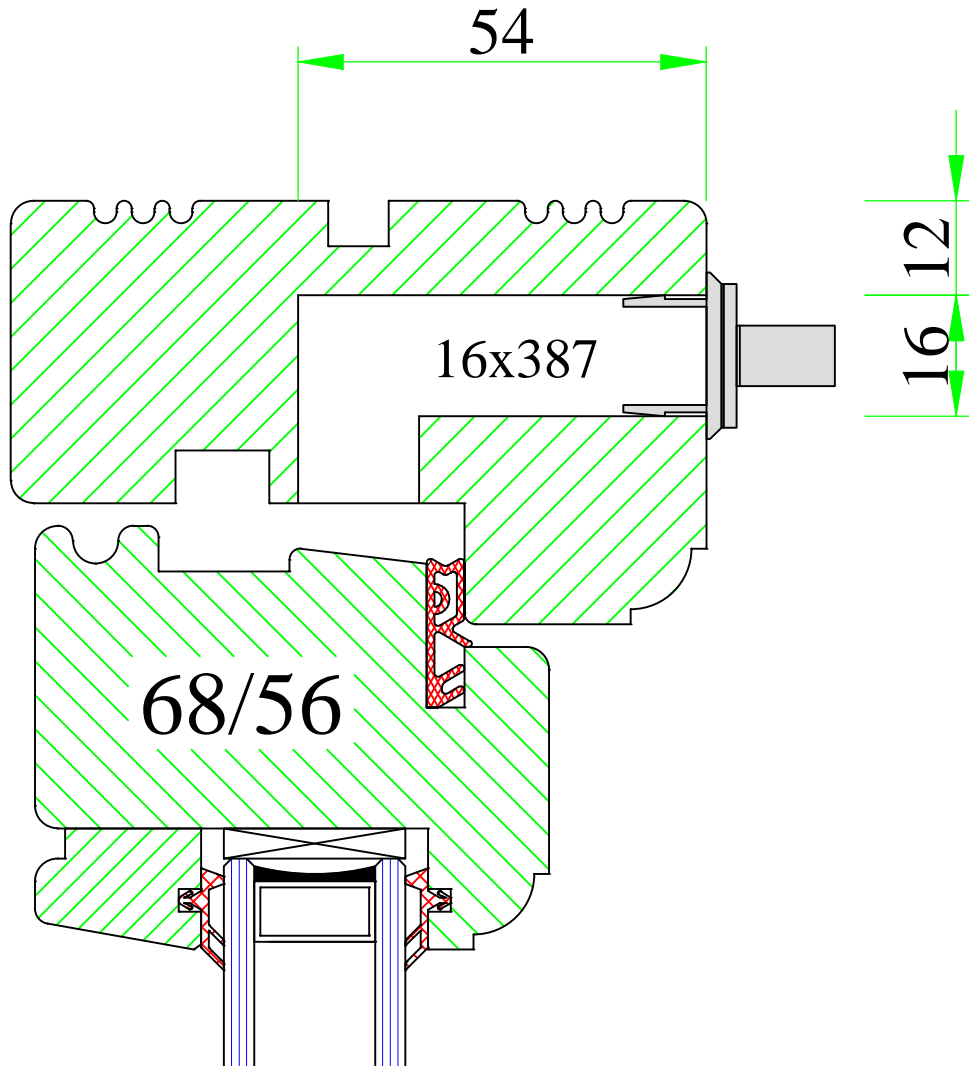
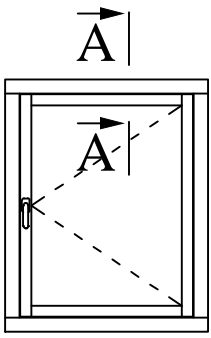


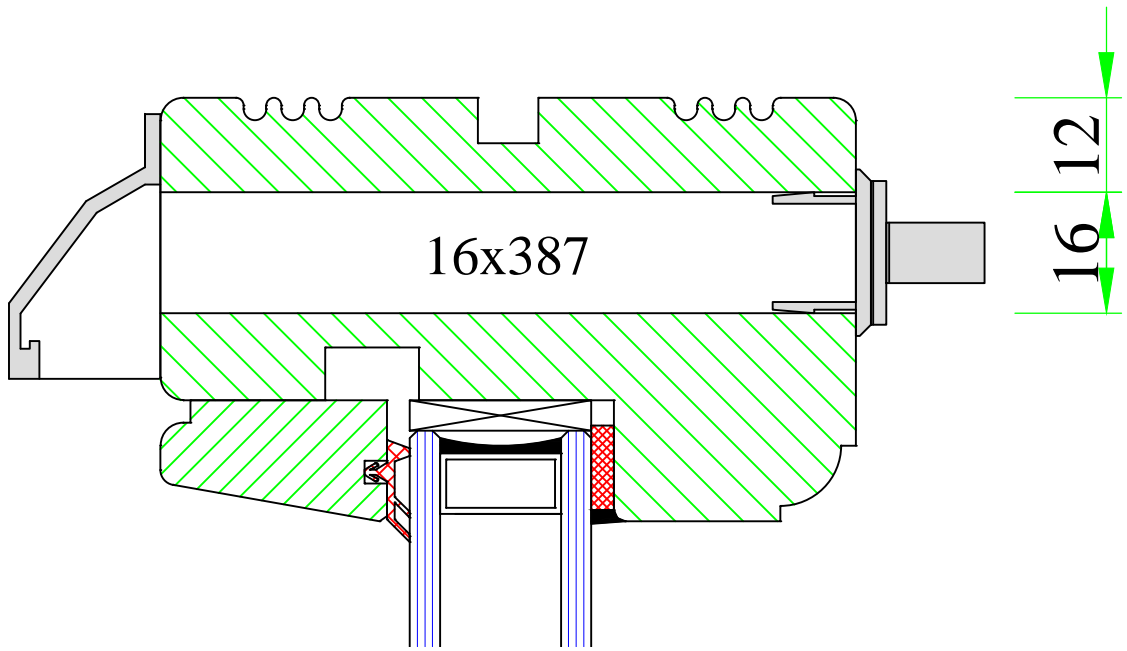
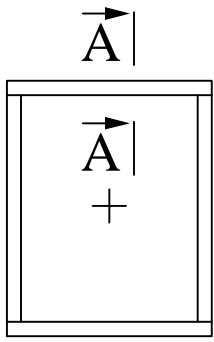
(in)

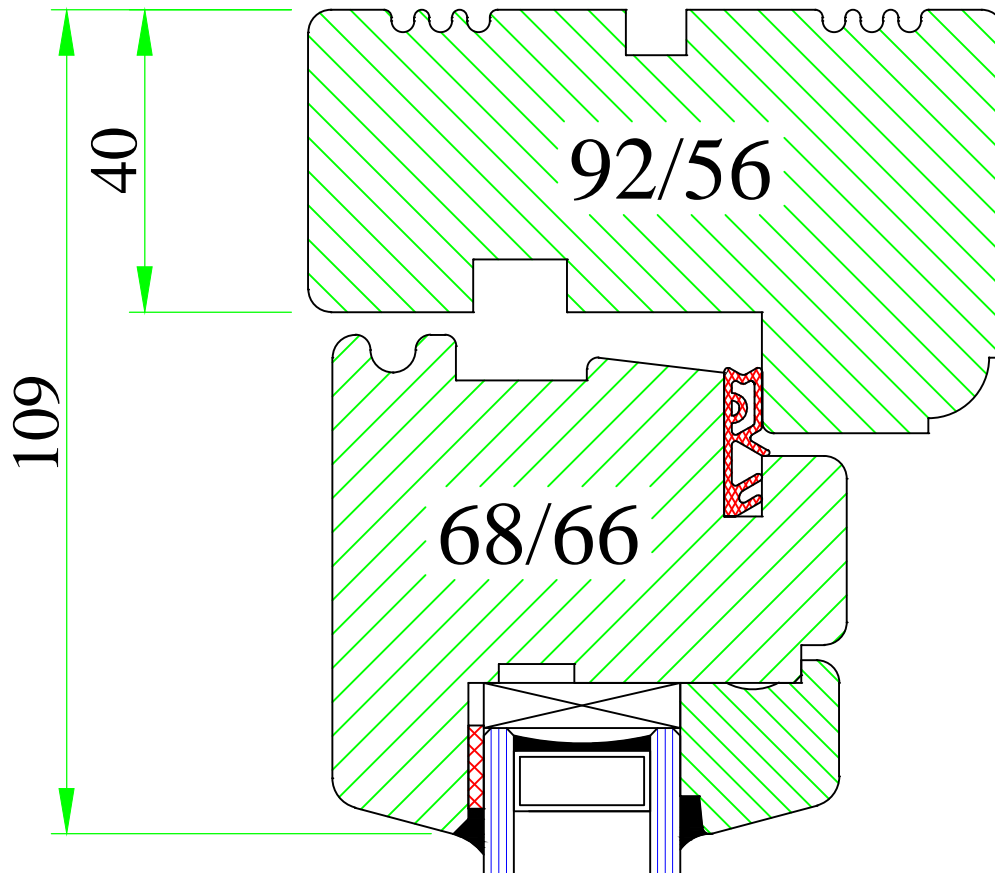
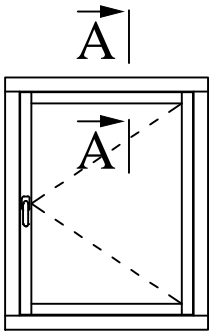
(out)

NA/16/1









UNI WINDOWS Ltd.
 Unit 6, Edgefield Industrial Est.
 Loanhead, EH20 9TB
 Tel.: 0131 448 3931

FLUSH CASEMENT

NewLine Frame-sash connection
 (internal glazing)

Version: 1	Scale: 1:1
Date: 15.05.14	Drawing: NA/25